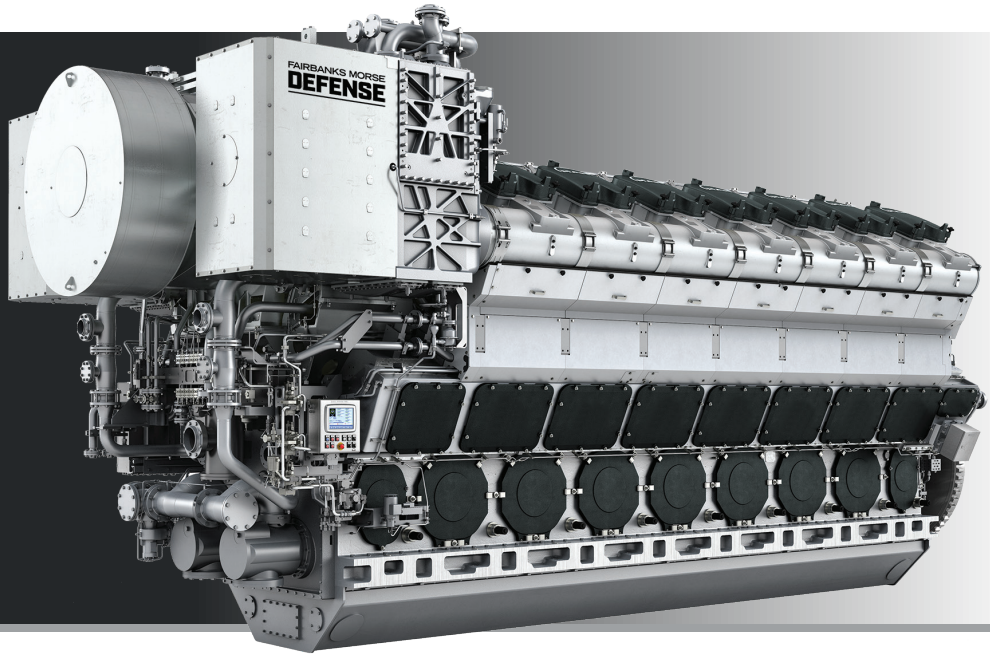


FM 48/60 CR

POWER RANGE
7,200 - 19,200 kWb



High Power Output

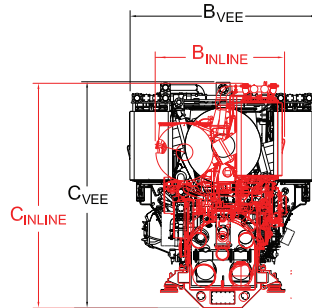
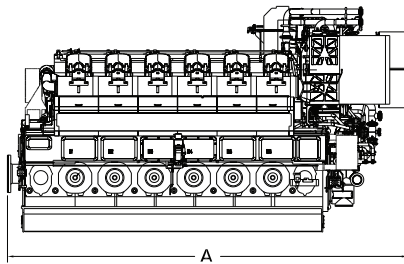
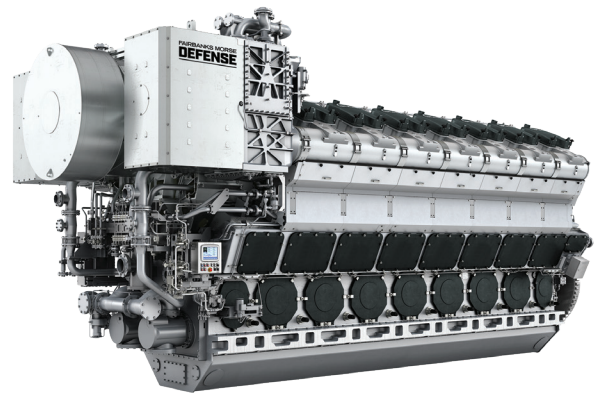
This reliable, high-output engine is the four-stroke heart of medium and large diesel power which makes it a versatile engine for both propulsion and auxiliary applications. The FM 48/60 CR features integrated self-diagnosis functions and extremely quick and accurate reaction times of the injection system.

APPLICATIONS	INSTALLATIONS	KEY ADVANTAGES
<ul style="list-style-type: none"> • Marine 	<ul style="list-style-type: none"> • Commercial Workboats • Military Vessels 	<ul style="list-style-type: none"> • Excellent fuel efficiency and low emissions • Extremely quick and accurate reaction times of the injection system • Integrated self-diagnosis functions • Common rail injection system comprises an intelligently designed safety concept

SPECIFICATIONS			
Cylinder Configuration	6L, 7L, 8L, 9L, 12V, 14V, 16V	Cycle	4 Stroke
Cylinder Bore-mm (in)	480 (18.9)	Displacement/Cylinder - L (cu in)	108.6 (6,627)
Piston Stroke-mm (in)	600 (23.6)	Mean Piston Speed - m/s (ft/s)	10.0 (32.8) - 500 rpm 10.3 (33.8) - 514 rpm

FM 48/60 CR

POWER RANGE
7,200 - 19,200 kWb



POWER RATINGS			DIMENSIONS			
Cylinders	Generator 514 RPM 60 Hz kWe	Propulsion 500 RPM kWm	Length A mm	Width B mm	Height C mm	Dry Weight M tons
6L	6,984	7,200	8,760	3,165	5,300	106
7L	8,148	8,400	9,580			119
8L	9,312	9,600	10,540	3,280		135
9L	10,476	10,800	11,360			148
12V	13,968	14,400	10,790	4,730	5,500	189
14V	16,296	16,800	11,790			213
16V	18,430	19,200	13,140			240

Drawings are for illustration only. For installation obtain certified prints.

NOTES

All ratings subject to factory approved application. Generator efficiency 97.0%. Power ratings P_{ISO} are as specified in DIN ISO 3046-1.

Power rating valid for tropical conditions: Air temp 45°C. Cooling water temp at aircooler 38°C. Ambient pr 1 bar. Tolerance for weight ± 5%

FAIRBANKS MORSE **DEFENSE**

701 White Avenue
Beloit, Wisconsin 53511 USA
1-800-356-6955

FM.Marketing@fmdefense.com

©2022 Fairbanks Morse Defense. All rights reserved. Form 3005.0122

fairbanksmorsedefense.com