

Powered by **FAIRBANKS MORSE
DEFENSE**

RESEARCH TOOL & DIE WORKS, INC.

Product Catalog



**Leading Manufacturer of
Marine Electrical Systems
Hardware**

rtnd.com

Leading Manufacturer of Marine Electrical Systems Hardware



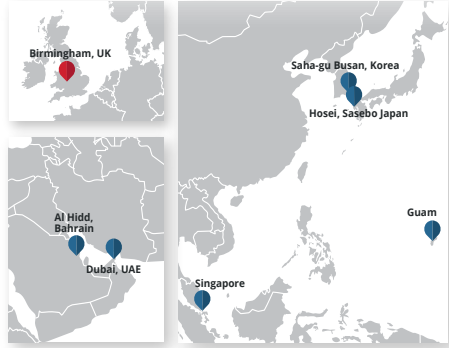
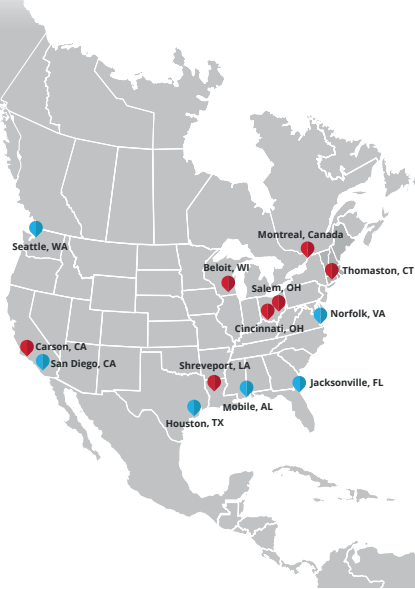
Research Tool & Die Works (RT&D), acquired by Fairbanks Morse Defense (FMD) in June 2022, is a manufacturing firm with over 70 years experience in electrical-systems hardware design and metal stamping fabrication. Skilled tool and die makers, design engineers, and production personnel, have combined to build a distinguished reputation for quality products and have established RT&D as a leader in developing innovative designs and manufacturing processes. RT&D has obtained over thirty domestic and foreign patents on products and tooling techniques.




Located in Carson, California, our state of the art manufacturing facility houses some of the most advanced fabrication equipment available.

RT&D utilizes modern computerized design, tool making, and manufacturing equipment, which results in production speeds and precision unequaled by any other means. Since we design many of our own unique production techniques, our facility also includes one of a kind equipment to implement these innovative products.

Stacking the decks with best in class marine technologies and service solutions. Fairbanks Morse Defense has mastered that balance over more than a century, configuring the delivery of every customer engagement to meet the needs of the moment. We deliver an advantage to the U.S. Fleet with a growing array of best-in-class marine technologies, OEM parts, and turnkey services – all from a single, trusted source.

Our Locations



-  Service Centers
-  Manufacturing Facilities
-  International Service Partners

Fairbanks Morse Defense

701 White Avenue

Beloit, WI 53511

Phone: 1-800-356-6955

www.fairbanksmorsedefense.com

Federal Equipment Co.

Phone: 1-877-435-4723

Hunt Valve Company

Phone: 1-800-321-2757

MAXIM Watermakers

Phone: 1-318-629-2460

Research Tool & Die Works

Phone: 1-310-639-5722

Ward Leonard

Phone: 1-860-283-5801

Welin Lambie

Phone: +44 (0) 1384-7824

Modern Facilities

We own and operate our own ultra-modern powder coat facility, and this enhances our ability to control product quality as well as production delivery times. We have developed many specialized coating formulations that provide superior wear characteristics with high corrosive resistance and are now required specifications in the marine industry.

Benefiting from a computerized inventory management system, and over one million dollars of on-hand products, our customers enjoy reduced delivery times not often found in the metal stamping industry. In addition, our network of representatives world wide prides themselves on providing the highest level of service to every customer. Leaders in the shipbuilding industry have come to rely on products manufactured by RT&D. We are proud of the fact that the hardware we produce is providing service to ships around the world every day.

TABLE OF CONTENTS

MAJOR WIREWAYS.....	1-1 to 1-14
DOWNCOMERS.....	2-1 to 2-14
INTERMEDIATE WIREWAYS.....	3-1 to 3-12
LOCAL WIREWAYS	4-1 to 4-5
STUFFING TUBES	5-1 to 5-12
ELECTRIC BOXES & FOUNDATIONS	6-1 to 6-14
LIGHT SUPPORTS.....	7-1 to 7-24
EMI BONDING HARDWARE	8-1 to 8-7
PIPE AND VENTILATION SUPPORTS	9-1 to 9-8
CABLE TRAYS & RACKS.....	10-1 to 10-16
ACCESSORIES	11-1 to 11-11
RESOURCES	12-1 to 12-6

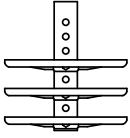


MAJOR WIREWAYS

INVERTED "T" STYLE
& TRAPEZE STYLE

MAJOR WIREWAYS

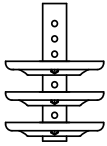
INVERTED "I" STYLE



3MOR CROSSTIER

3MOR-08A - 3MOR-20A ALUMINUM 45.5 LBS/TIER
 3MOR-08 - 3MOR-20 STEEL 91.0 LBS/TIER
 3MOR-08S - 3MOR-20S STAINLESS 91.0 LBS/TIER

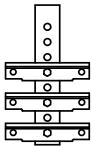
P. 1-3



3MAX CROSSTIER

3MAX10A - 3MAX30A ALUMINUM 75.0 LBS/TIER
 3MAX10 - 3MAX30 STEEL 150.0 LBS/TIER
 3MAX10S - 3MAX30S STAINLESS 150.0 LBS/TIER

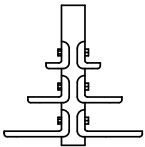
P. 1-4



3CT NAVY STANDARD

3CT-06 - 3CT-20 ALUMINUM 45.5 LBS/TIER
 3CTS-06 - 3CTS-20 STEEL 91.0 LBS/TIER
 3CTSS-06 - 3CTSS-20 STAINLESS 91.0 LBS/TIER

P. 1-5



RTD CROSSTIER

RA06 - RA10 ALUMINUM 22.5 LBS/SIDE
 R612 - R1212 STEEL 45.0 LBS/SIDE

P. 1-6

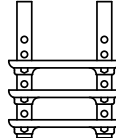


OVER/UNDER CROSSTIER

3OUS-06 - 3OUS-20 STEEL
 3OUS-06A - 3OUS-20A ALUMINUM
 3OUSS-06 - 3OUSS-20 STAINLESS STEEL

P. 1-7

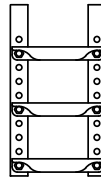
TRAPEZE STYLE



9M CROSSTIER

9M-08A - 9M-20A ALUMINUM 45.5 LBS/TIER
 9M-08 - 9M-20 STEEL 91.0 LBS/TIER
 9M-08S - 9M-20S STAINLESS 91.0 LBS/TIER

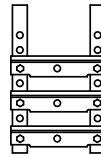
P. 1-9



9MAX CROSSTIER

9MAX17A - 9MAX30A ALUMINUM
 9MAX17 - 9MAX30 STEEL 150.0 LBS/TIER
 9MAX17S - 9MAX30S STAINLESS 150.0 LBS/TIER

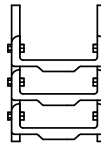
P. 1-10



3CT NAVY STANDARD

3CT-06 - 3CT-20 ALUMINUM 45.5 LBS/TIER
 3CTS-06 - 3CTS-20 STEEL 91.0 LBS/TIER
 3CTSS-06 - 3CTSS-20 STAINLESS 91.0 LBS/TIER

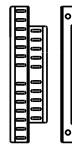
P. 1-11



9S CROSSTIER

9A08 - 9A24 ALUMINUM 45.0 LBS/TIER
 9S08 - 9S24 STEEL 91.0 LBS/TIER
 9SS08 - 9SS24 STAINLESS 91.0 LBS/TIER

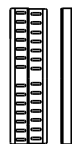
P. 1-12



OVER/UNDER CROSSTIER HEAVY DUTY

3OUS-171 - 3OUS-301 STEEL 156.0 LBS/TIER

P. 1-13



OVER/UNDER CROSSTIER WITH TABS

3OUSW-17 - 3OUSW-38 STEEL 120.0 LBS/TIER

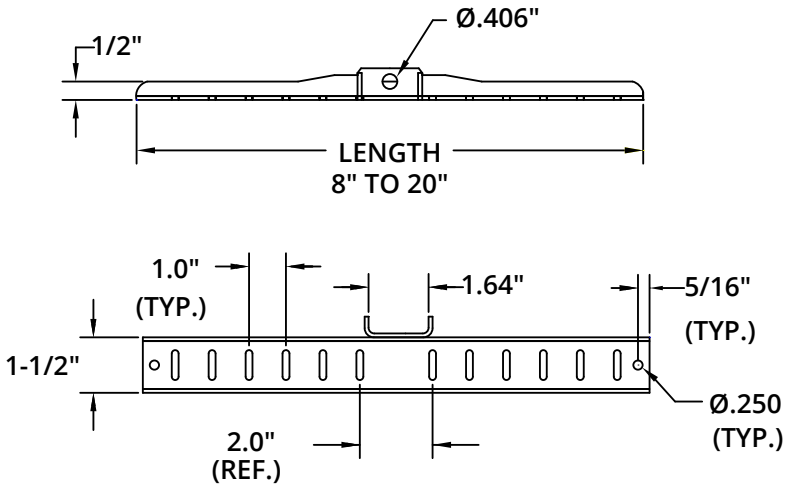
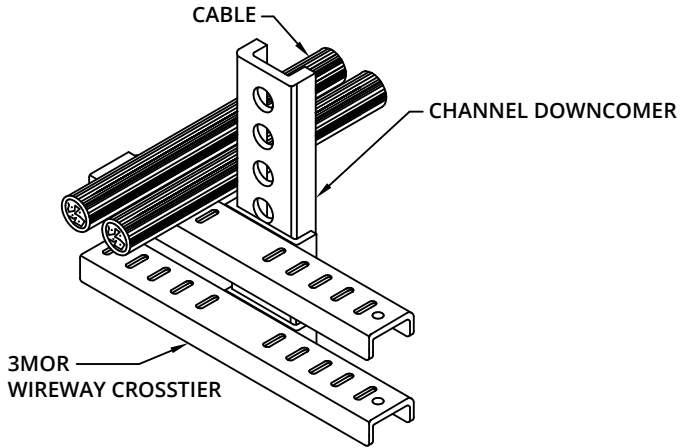
P. 1-14

INVERTED "T" STYLE

NOTES

3MOR CROSSTIER

MILITARY OPTIONAL REPLACEMENT
INVERTED "T" STYLE



AVAILABLE IN 1" INCREMENTS FROM 6" TO 20"

ALUMINUM

STEEL

STAINLESS

3MOR-06A - 3MOR-20A

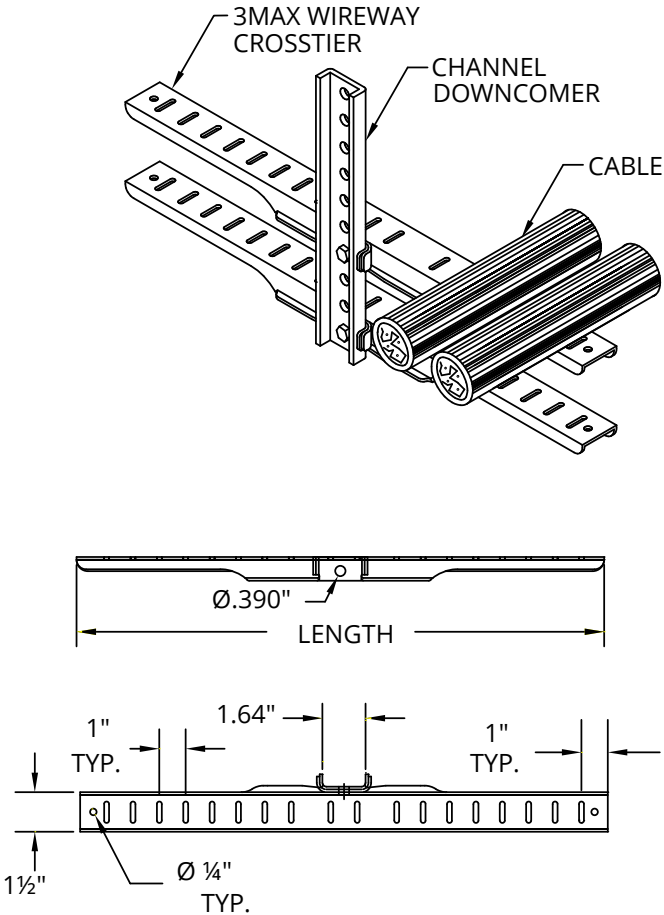
3MOR-06 - 3MOR-20

3MOR-06S - 3MOR-20

3MAX CROSSTIER

MAX LOAD WIREWAY CROSSTIER

DESIGNED TO MEET EXTRA HEAVY LOADS,
RATED FOR 150 LBS. EACH TIER



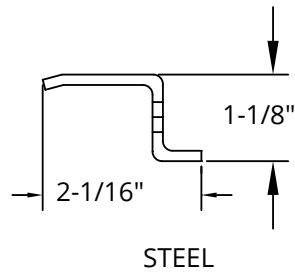
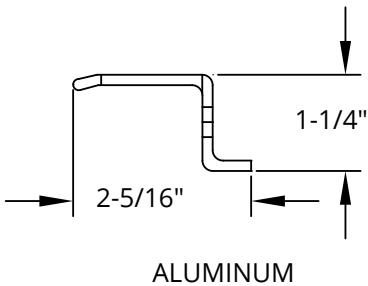
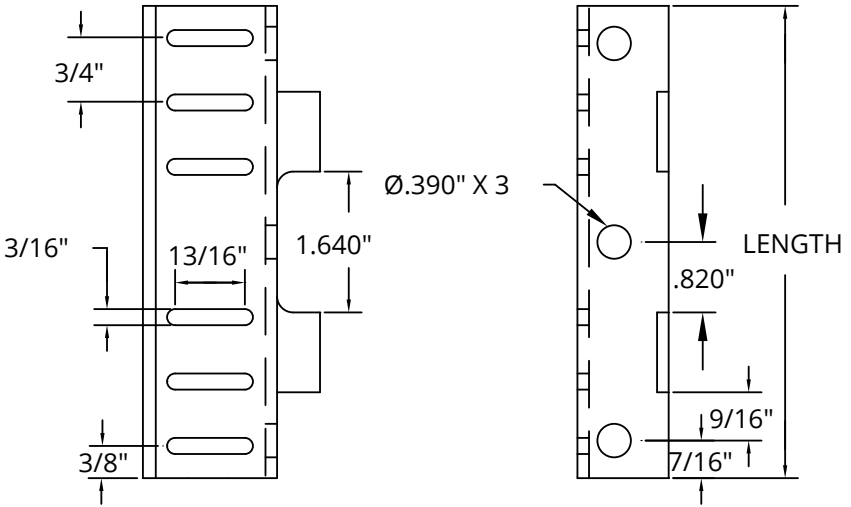
AVAILABLE IN 2" INCREMENTS FROM 10" TO 24"

STEEL

3MAX10 - 3MAX24

NAVY STANDARD

CROSSTIE



MANUFACTURED IN STRICT COMPLIANCE WITH E.P.I.S.M. DRAWING NO. 803-5001027

AVAILABLE IN 1" INCREMENTS FROM 6" TO 20"

ALUMINUM

STEEL

STAINLESS

3CT-06 - 3CT-20

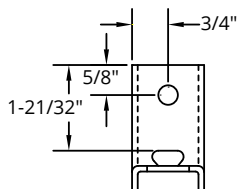
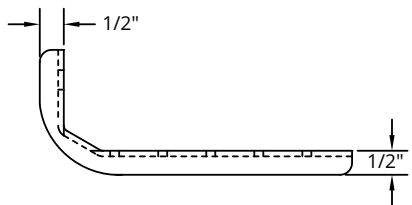
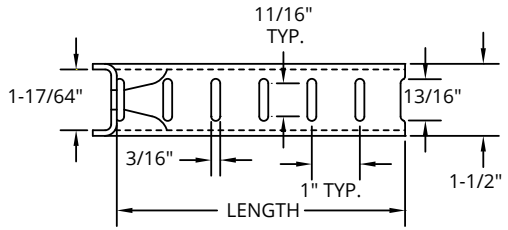
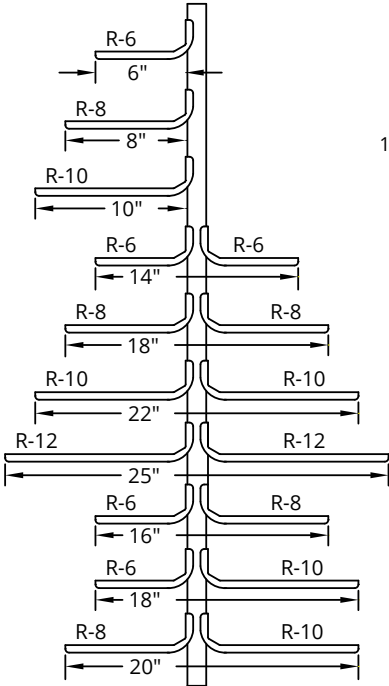
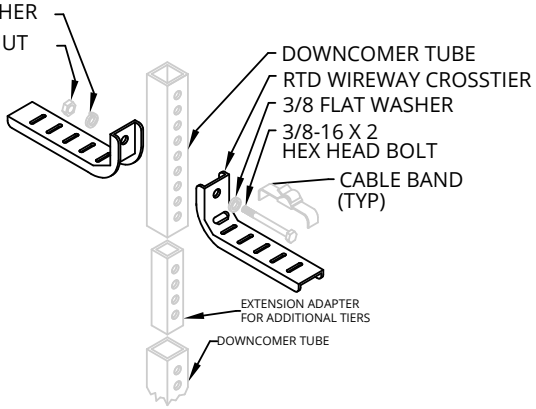
3MOR-06 - 3MOR-20

3CTSS-06 - 3CTSS-20

RTD CROSSTIER

WIREWAY HANGER

3/8 LOCK WASHER
3/8-16 HEX NUT



U.S. PAT. #3923277

ALUMINUM

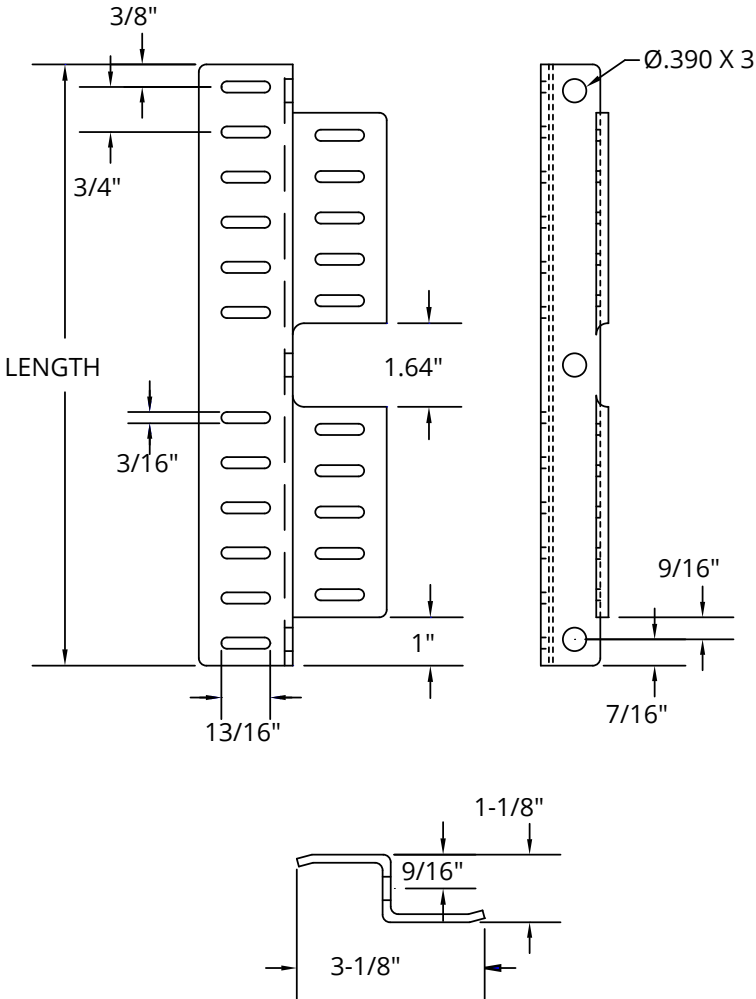
RA06 - RA08 - RA10

STEEL

R612 - R812 - R1012 - R1212

OVER/UNDER CROSSTIER

DESIGNED TO BE USED WITH NAVY STANDARD CHANNEL DOWNCOMERS AND ANGLE DOWNCOMERS



AVAILABLE IN 1" INCREMENTS FROM 6" TO 24"

ALUMINUM

STEEL

STAINLESS

30US-06A - 30US-24A

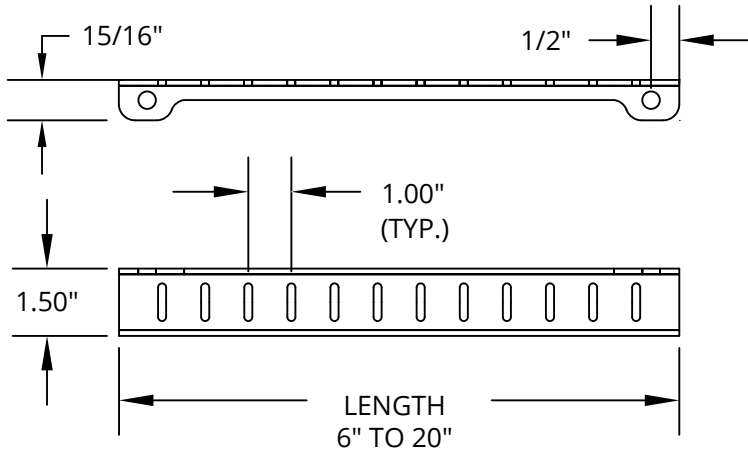
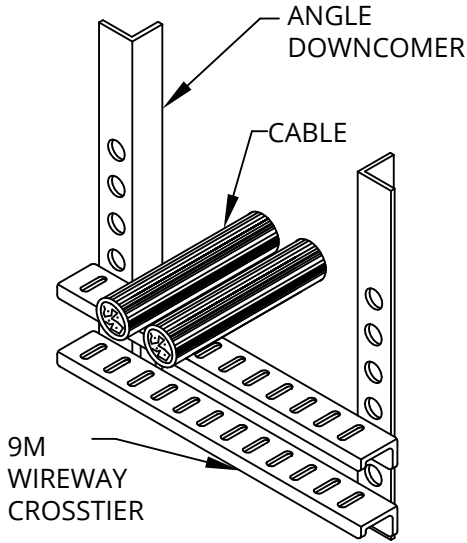
30US-06 - 30US-24

30USS-06 - 30USS-24

TRAPEZE STYLE NOTES

9M CROSSTIER

MILITARY OPTIONAL REPLACEMENT
TRAPEZE STYLE



AVAILABLE IN 1" INCREMENTS FROM 6" TO 20"

ALUMINUM

STEEL

STAINLESS

9M-06A - 9M-20A

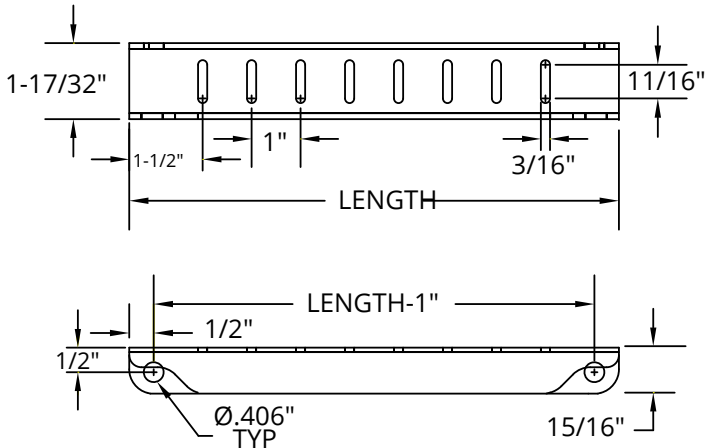
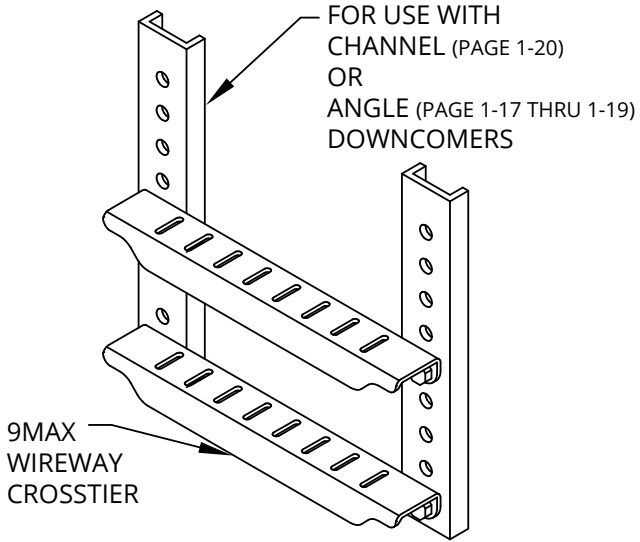
9M-06 - 9M-20

9M-06S - 9M-20S

9MAX CROSSTIER

MAX LOAD WIREWAY CROSSTIER

DESIGNED TO MEET EXTRA HEAVY LOADS,
RATED FOR 150 LBS. EACH TIER



AVAILABLE IN 1" INCREMENTS FROM 6" TO 30"

ALUMINUM

STEEL

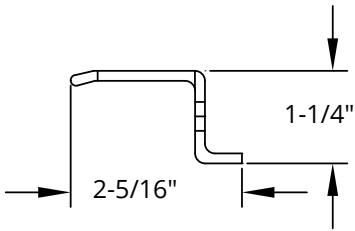
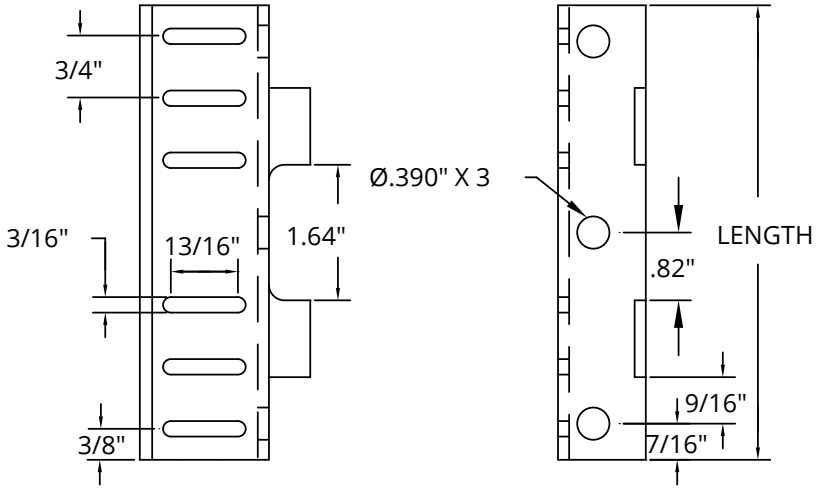
STAINLESS

9MAX06A - 9MAX30A

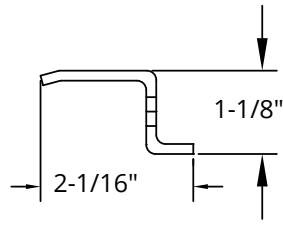
9MAX06 - 9MAX30

9MAX06S - 9MAX30S

NAVY STANDARD CROSSTIE



ALUMINUM



STEEL

MANUFACTURED IN STRICT COMPLIANCE WITH E.P.I.S.M. DRAWING NO. 803-5001027

AVAILABLE IN 1" INCREMENTS FROM 6" TO 20"

ALUMINUM

STEEL

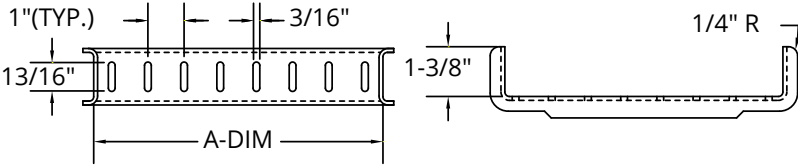
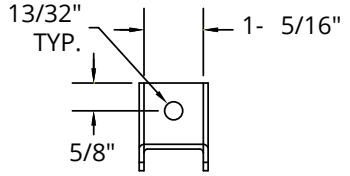
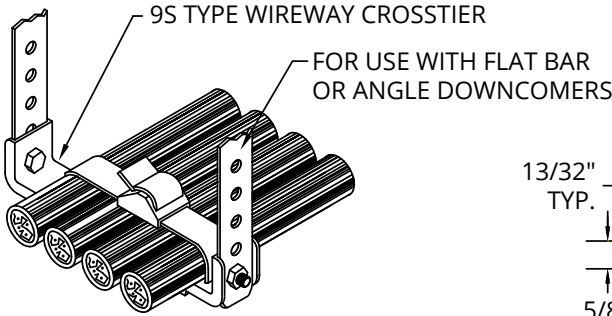
STAINLESS

3CT-06 - 3CT-20

3CTS-06 - 3CTS-20

3CTSS-06 - 3CTSS-20

9S CROSSTIER

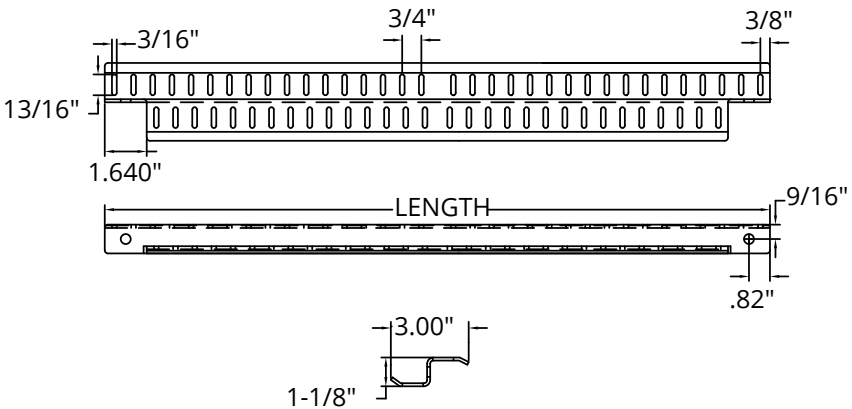
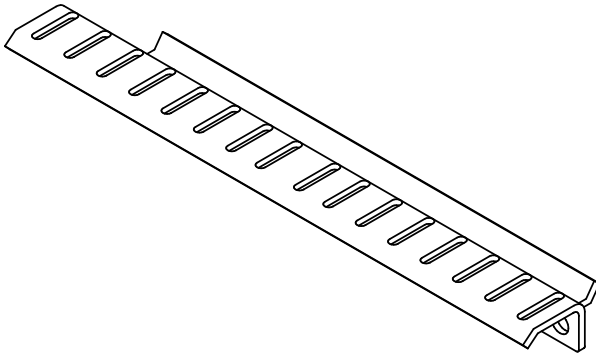


ALUMINUM	STEEL	STAINLESS	A-DIM
9A08	9S08	9SS08	7"
9A09	9S09	9SS09	8"
9A10	9S10	9SS10	9"
9A11	9S11	9SS11	10"
9A12	9S12	9SS12	11"
9A13	9S13	9SS13	12"
9A14	9S14	9SS14	13"
9A15	9S15	9SS15	14"
9A16	9S16	9SS16	15"
9A17	9S17	9SS17	16"
9A18	9S18	9SS18	17"
9A19	9S19	9SS19	18"
9A20	9S20	9SS20	19"
9A22	9S22	9SS22	21"
9A24	9S24	9SS24	23"
ALUMINUM	STEEL	STAINLESS	
9A08 - 9A24	9S08 - 9S24	9SS08 - 9SS24	

HEAVY DUTY OVER/UNDER CROSSTIER

DESIGNED TO MEET EXTRA HEAVY LOADS,
RATED FOR UP TO 228 LBS. PER TIER

TO BE USED WITH TWO CHANNEL DOWNCOMERS



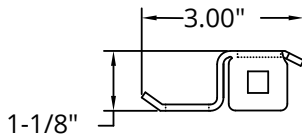
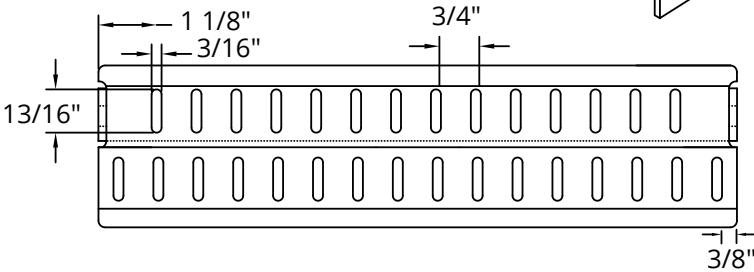
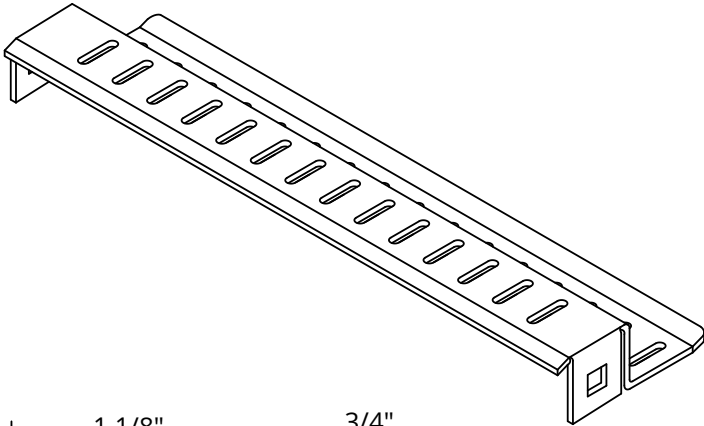
AVAILABLE IN 17" AND 2" INCREMENTS FROM 20" TO 30"

STEEL

30US-171 - 30US-301

OVER/UNDER CROSSTIER WITH TABS

DESIGNED FOR FULL SURFACE CONTACT WITH CABLE ON ELEVATION CHANGES



AVAILABLE IN 12", 17", AND 2" INCREMENTS FROM 18" TO 38"

STEEL

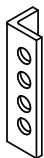
30USW-12 - 30USW-38

STAINLESS

30USSW-12 - 30USSW-38

DOWNCOMERS AND ACCESSORIES

DOWNCOMERS AND ACCESSORIES



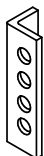
UNIVERSAL ANGLE
 3ADA-03U - 3ADA-120U ALUMINUM
 3ADS-03U - 3ADS-120U STEEL
 3ADSS-03U - 3ADSS-120U STAINLESS

P. 2-4



**SQUARE TUBE
EXTENSION ADAPTER**
 RDA-5 ALUMINUM
 RD-5 STEEL

P. 2-9



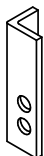
METRIC ANGLE
 3ADS-180 - 3ADS-3000 STEEL

P. 2-5



ANGLE IRON
 2A-03 - 2A-41 STEEL
 2A-03A - 2A-41A ALUMINUM

P. 2-10



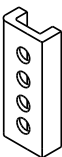
NAVY STANDARD ANGLE
 3ADA-03 - 3ADA-36 ALUMINUM
 3ADS-03 - 3ADS-48 STEEL
 3ADSS-03 - 3ADSS-48 STAINLESS
 *Part number equals one pair.

P. 2-6



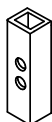
FLAT BAR
 2F-03 - 2F-15 STEEL
 2F-03A - 2F-15A ALUMINUM

P. 2-11



CHANNEL
 3CD-03 - 3CD-120 ALUMINUM
 3CDS-03 - 3CDS-120 STEEL
 3CDSS-03 - 3CDSS-120 STAINLESS

P. 2-7



MOUNTING ADAPTERS
 3ADPS-0
 3ADPA *obsolete
 3ADPS-4B
 3ADPA-4B

P. 2-12



SQUARE TUBE
 RTA-06 - RTA-36 ALUMINUM
 RT-06 - RT-36 STEEL

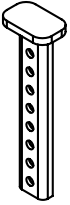
P. 2-8



CABLE RETAINER
 3STKS-03 - 3STKS-24 STEEL
 3STKC-03 - 3STKC-24 STAINLESS

P. 2-13

DOWNCOMERS AND ACCESSORIES



DOUBLER PAD

DOWNCOMER

3CDS-03D - 3CDS-40D PAINTED

3CDS-03DR - 3CDS-40DR RAW

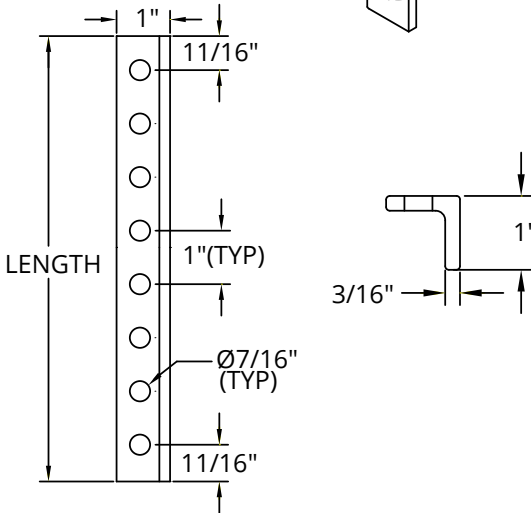
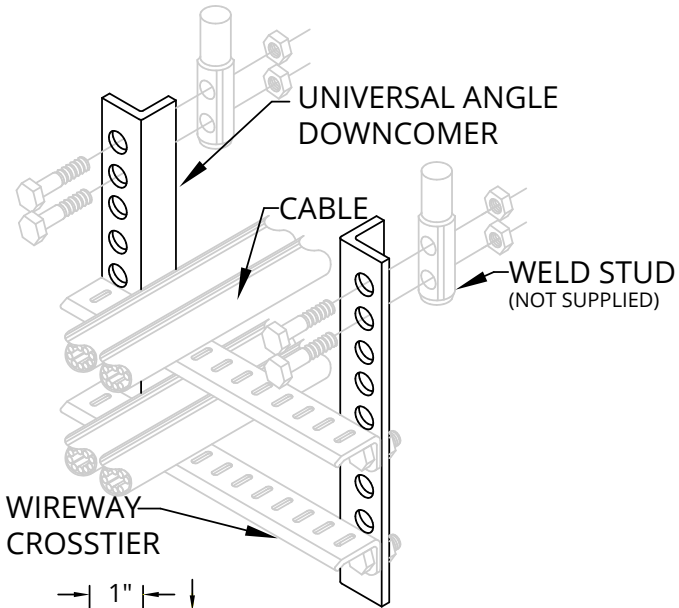
P. 2-14

DOWNCOMERS AND ACCESSORIES

NOTES

UNIVERSAL ANGLE

WELD STUD MOUNTING



AVAILABLE IN 1" INCREMENTS FROM 3 3/8" TO 48 3/8" & 120 3/8"

ADDITIONAL SIZES AVAILABLE ON REQUEST

ALUMINUM

STEEL

STAINLESS

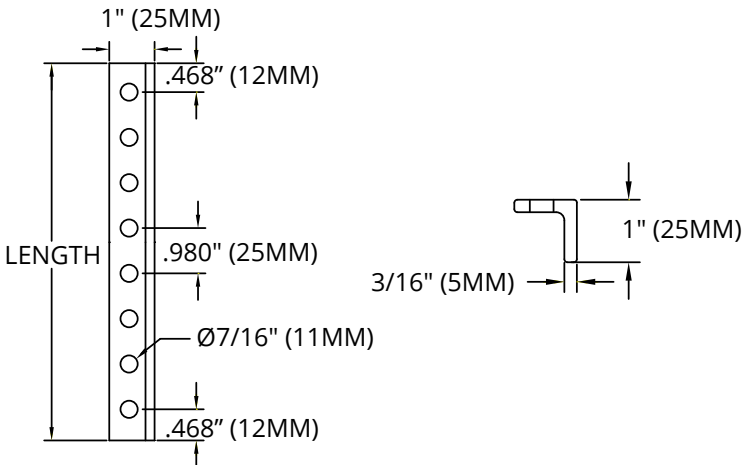
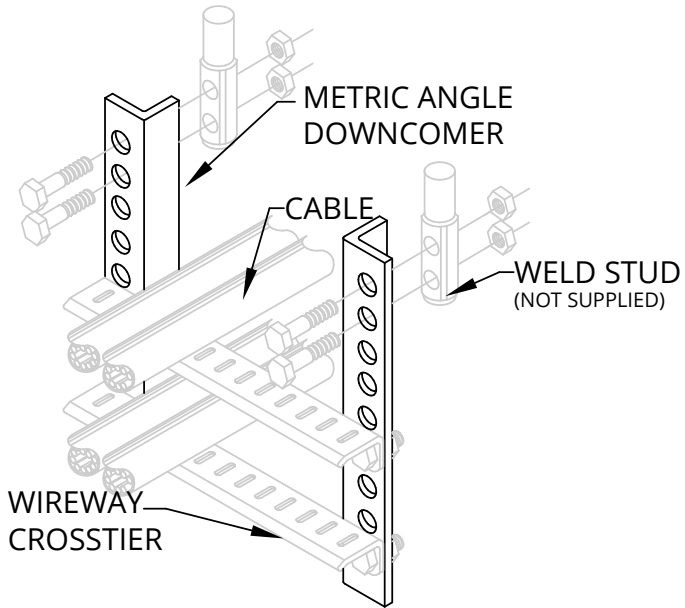
3ADA-03U - 3ADA-120U

3ADS-03U - 3ADS-120U

3ADSS-03U - 3ADSS-120U

METRIC ANGLE

WELD STUD MOUNTING



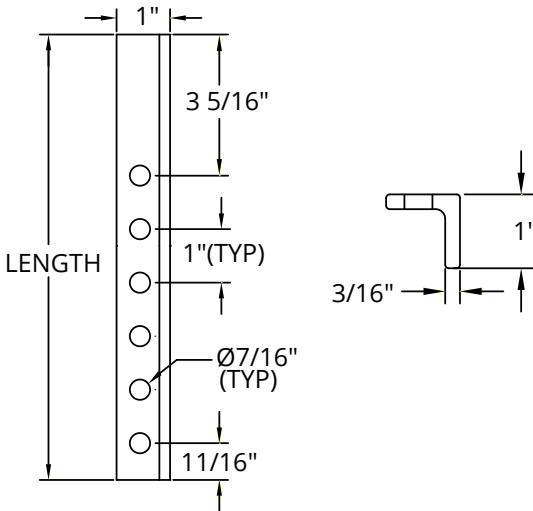
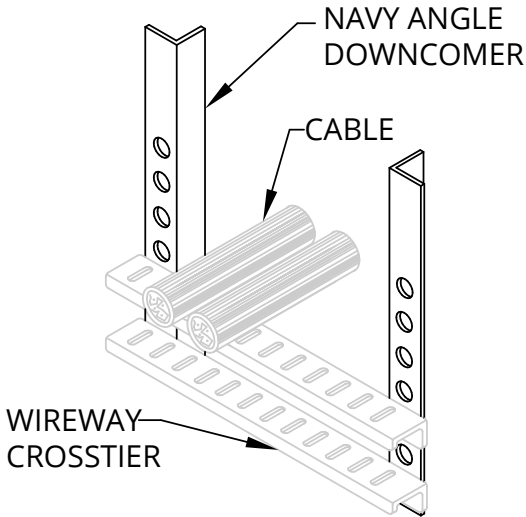
AVAILABLE IN 25MM INCREMENTS FROM 180MM TO 3000MM

STEEL

3ADS-0180 - 3ADS-3000

NAVY STANDARD ANGLE

WELD MOUNTING



*Part number equals one pair

AVAILABLE IN 1" INCREMENTS FROM 3" TO 48"

ALUMINUM

STEEL

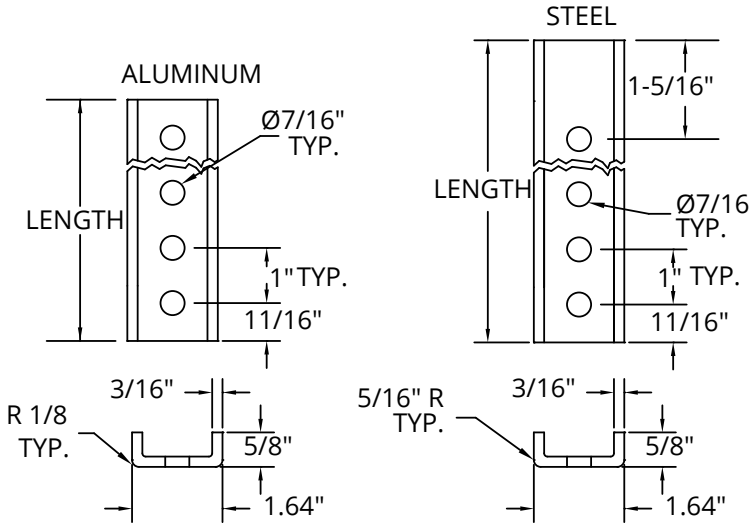
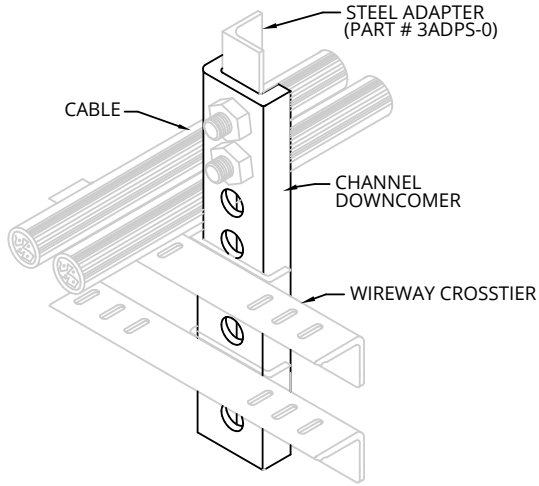
STAINLESS

3ADA-03 - 3ADA-36

3ADS-03 - 3ADS-48

3ADSS-03 - 3ADSS-48

CHANNEL



MANUFACTURED IN STRICT COMPLIANCE WITH E.P.I.S.M. DRAWING NO. 803-5001027

**AVAILABLE IN 1" INCREMENTS
FROM 3 3/8" TO 36 3/8" & 120 3/8"**

**AVAILABLE IN 1" INCREMENTS
FROM 4" TO 48" & 120"**

ADDITIONAL SIZES AVAILABLE ON REQUEST

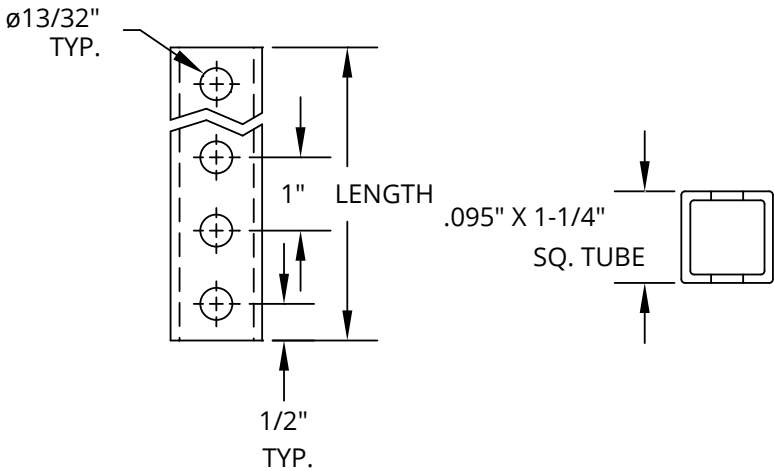
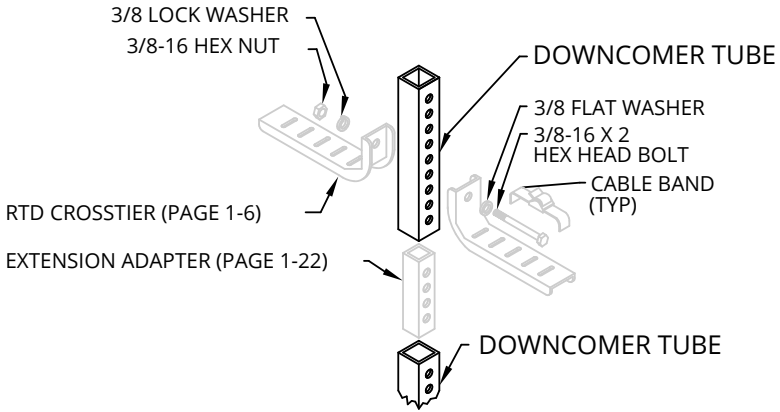
ALUMINUM

STEEL

3CD-03 - 3CD-120

3CDS-04 - 3CDS-120

SQUARE TUBE



AVAILABLE IN 1" INCREMENTS FROM 6" - 36"

ADDITIONAL SIZES AVAILABLE ON REQUEST

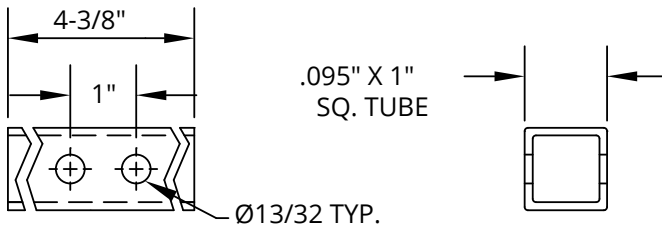
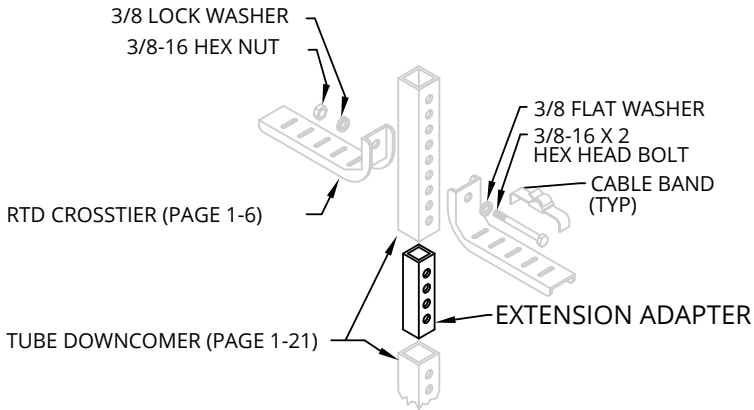
ALUMINUM

RTA-06 - RTA-36

STEEL

RT-06 - RT-36

SQUARE TUBE EXTENSION ADAPTER



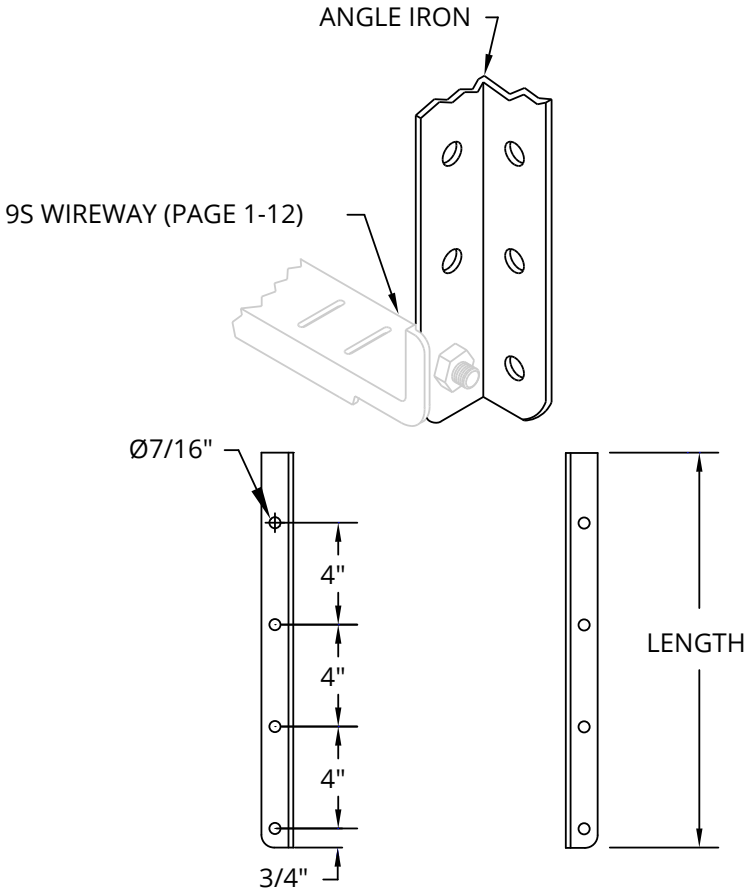
ALUMINUM

RDA-5

STEEL

RD-5

ANGLE IRON



1-1/4" X 1-1/4" X 3/16"

**AVAILABLE IN 2" INCREMENTS FROM 3 1/2" TO 41 1/2"
ADDITIONAL SIZES AVAILABLE ON REQUEST**

STEEL

PART NUMBER

NUMBER OF HOLES

2A-03 - 2A-05

1

2A-07 - 2A-09

2

2A-11 - 2A-13

3

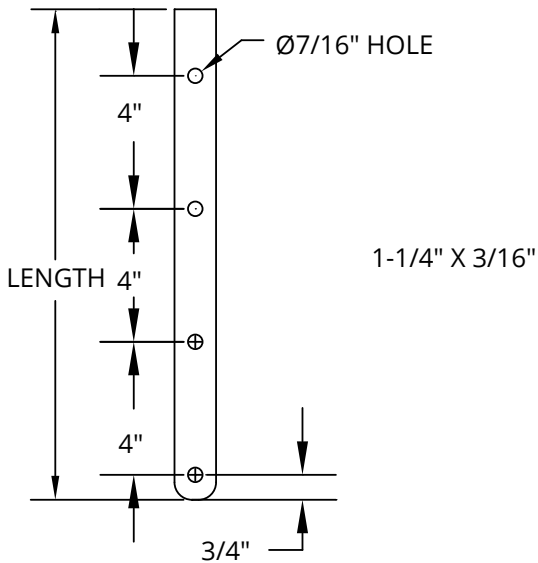
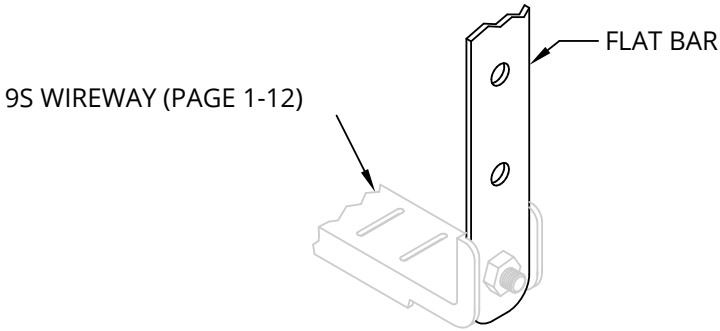
2A-15 - 2A-39

4

2A-41

5

FLAT BAR



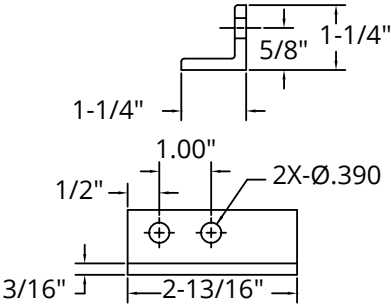
AVAILABLE IN 2' INCREMENTS FROM 3 1/2" TO 15 1/2"

STEEL
Also available in Aluminum

PART NUMBER	NUMBER OF HOLES
2F-03 - 2F-05	1
2F-07 - 2F-09	2
2F-11 - 2F-13	3
2F-15	4

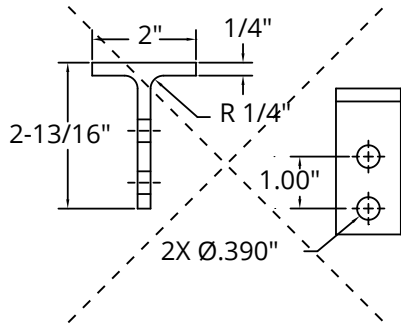
MOUNTING ADAPTERS

MANUFACTURED IN STRICT COMPLIANCE WITH E.P.I.S.M. DRAWING NO. 803-5001027



STEEL

3ADPS-0

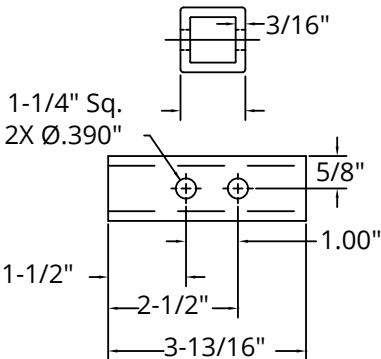


*****OBSOLETE*****

ALUMINUM

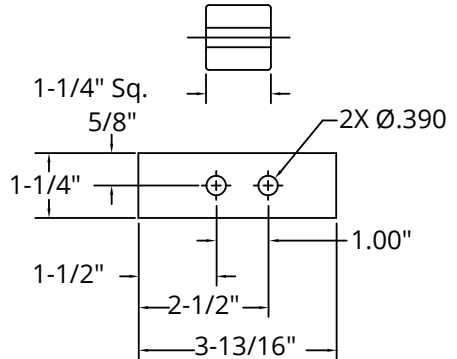
3ADPA

MANUFACTURED IN STRICT COMPLIANCE WITH E.P.I.S.M. DRAWING NO. DOD-2003



STEEL

3ADPS-4B

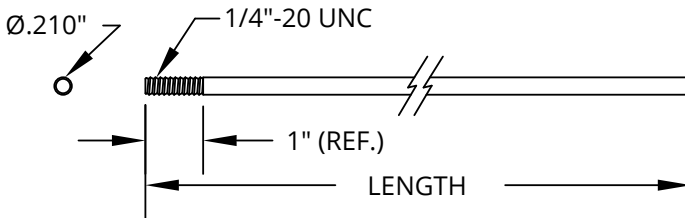
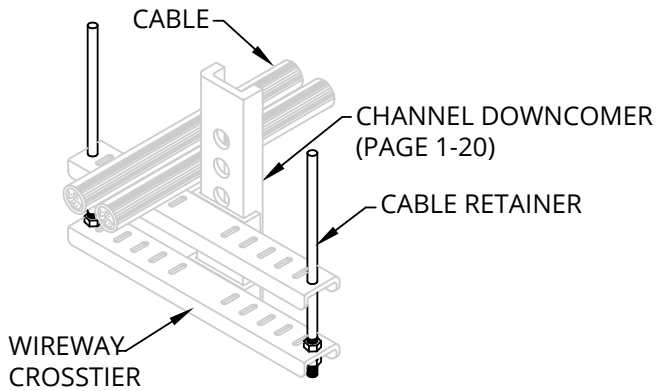


ALUMINUM

3ADPA-4B

CABLE RETAINER

TO BE USED WITH 3MOR-XX AND 3MAX-XX
MILITARY OPTIONAL REPLACEMENT CROSSTIER



REDUCES BANDING REQUIREMENTS &
HELPS STABILIZE OFF CENTER LOADS

Note: mild steel retainer is zinc plated

**AVAILABLE IN 2" INCREMENTS FROM 3" TO 24"
*ADDITIONAL SIZES AVAILABLE ON REQUEST***

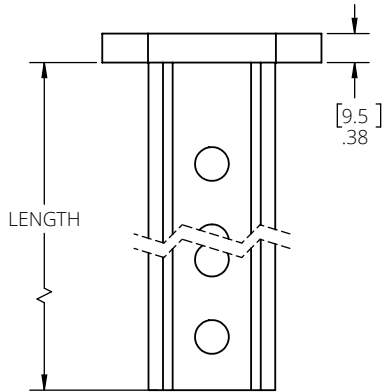
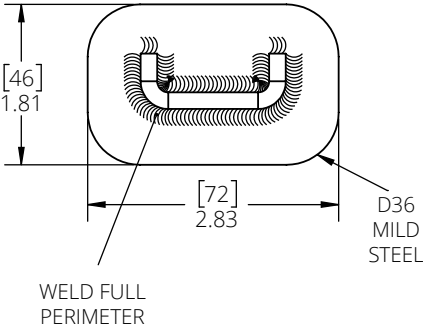
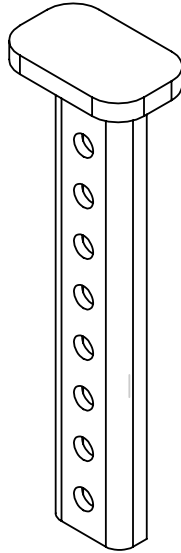
STEEL

3STKS-03 - 3STKS-24

STAINLESS

3STKC-03 - 3STKC-24

DOUBLER PAD DOWNCOMER



AVAILABLE IN 1" INCREMENTS FROM 3" - 40"

ADDITIONAL SIZES AVAILABLE ON REQUEST

PAINTED

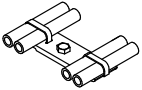
RAW

3CDS-03D - 3CDS-40D

3CDS-03DR - 3CDS-40DR

INTERMEDIATE WIREWAYS

INTERMEDIATE WIREWAYS



9T WIREWAY

9TA06 - 9TA16 ALUMINUM
9T06 - 9T16 STEEL
9TC06 - 9TC16 STAINLESS

P. 3-3

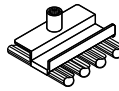


PLATE HANGERS

RTW620B - RTW680B STEEL
BOTTOM LOADING
RTW620T - RTW680T STEEL
TOP LOADING

P. 3-8

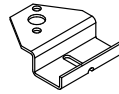


T-BAR HANGER INTERMEDIATE

RTD7150A - RTD7750A ALUMINUM
RTD7150 - RTD7750 STEEL CAP 10.0 LBS
RTD7150S - RTD7750S STAINLESS
CAP 10.0 LBS

*** OBSOLETE - Limited Availability***

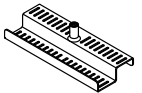
P. 3-4



CABLE SUPPORT

RTD6075A - RTD6600A ALUMINUM
RTD6075 - RTD6600 STEEL

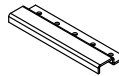
P. 3-9



SHOTGUN HANGER

RTWSG30MS - RTWSG70MS STEEL
RTWSG30SS - RTWSG70SS STAINLESS
RTWSG30AL - RTWSG70AL STEEL

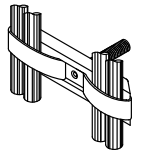
P. 3-5



CABLE SUPPORT HONEYCOMB SINGLE

RT60201A - RT60801A ALUMINUM
RT60201 - RT60801 STEEL
RT60201S - RT60801S STAINLESS

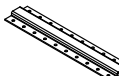
P. 3-10



T-BAR HANGER HEAVY DUTY

RTG7150 - RTG7750 STEEL CAP 20.0 LBS
RTG7150S - RTG7750S STAINLESS
CAP 20.0 LBS

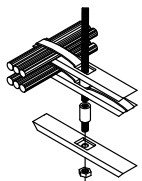
P. 3-6



CABLE SUPPORT HONEYCOMB DOUBLE

RT60902A - RT61302A ALUMINUM
RT60902 - RT61302 STEEL
RT60902S - RT61302S STAINLESS

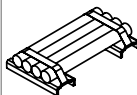
P. 3-11



T-BAR HANGER HEAVY DUTY INVERTED T

RTGT7550 - RTGT7750 STEEL
CAP 20.0 LBS
RTGT7550S - RTGT7750S STAINLESS
CAP 20.0 LBS

P. 3-7



CHANNEL HANGER

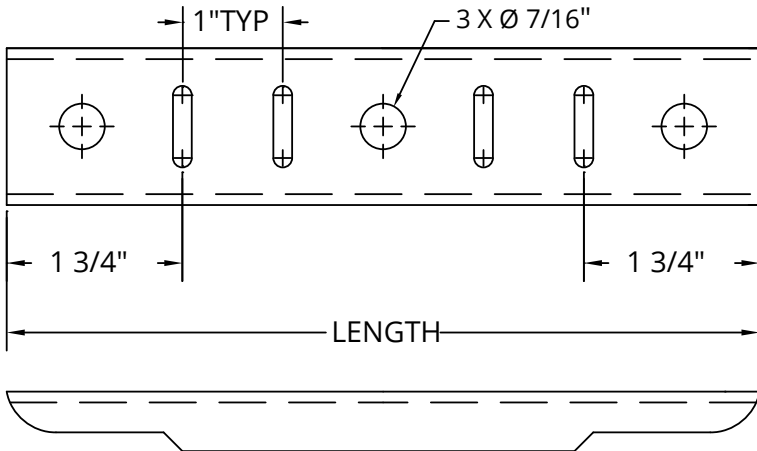
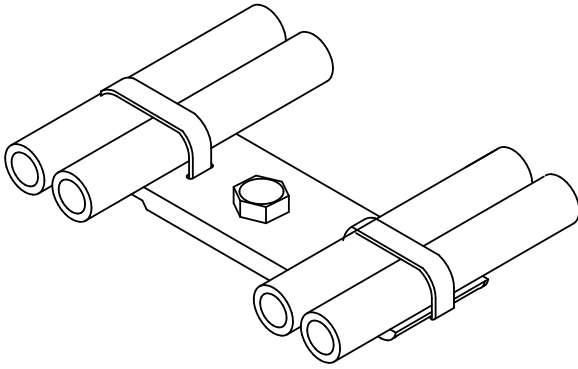
9C01S - 9C04S STEEL
9C01A - 9C04A STEEL

P. 3-12

INTERMEDIATE WIREWAYS

NOTES

9T WIREWAY



LENGTH EVERY 2" FROM 6" TO 24"

ALUMINUM

9TA06 - 9TA24

STEEL

9T06 - 9T24

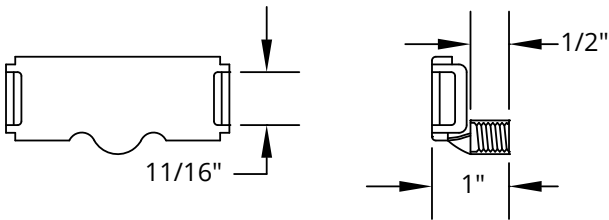
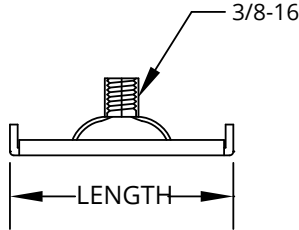
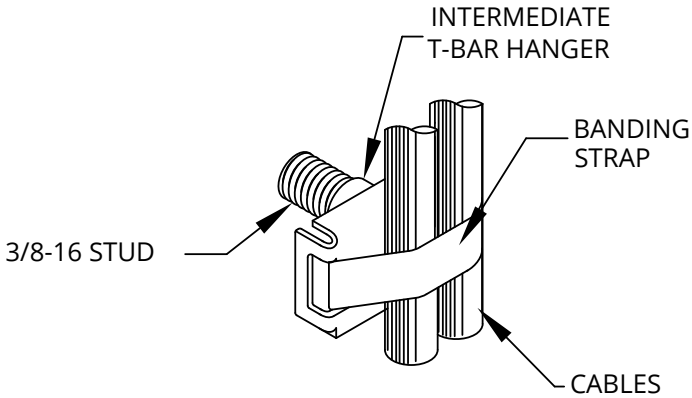
STAINLESS

9TC06 - 9TC24

T-BAR HANGER

INTERMEDIATE

RATED FOR LOADS UP TO 10 LBS



*** OBSOLETE - LIMITED AVAILABILITY ***

AVAILABLE IN 1" INCREMENTS FROM 1 1/2" TO 7 1/2"

ALUMINUM

STEEL

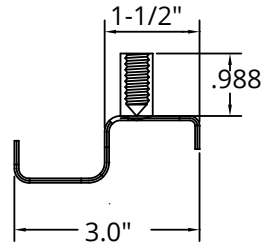
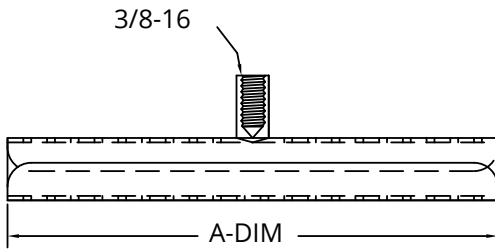
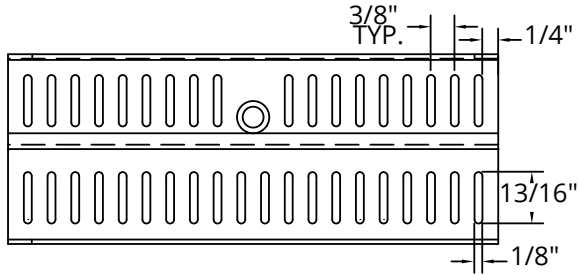
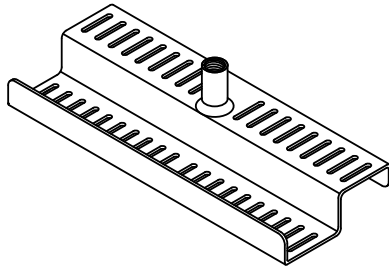
STAINLESS

RTD7250A - RTD7750A

RTD7150 - RTD7750

RTD7350S - RTD7750S

SHOTGUN HANGER



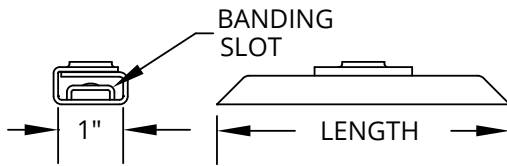
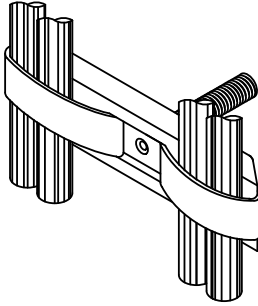
ADDITIONAL TAPPED PAD SIZES AVAILABLE

ALUMINUM	STEEL	STAINLESS	A
RTWSG30AL	RTWSG30MS	RTWSG30SS	3-1/4"
RTWSG350AL	RTWSG50MS	RTWSG50SS	4-3/4"
RTWSG70AL	RTWSG70MS	RTWSG70SS	7-3/4"

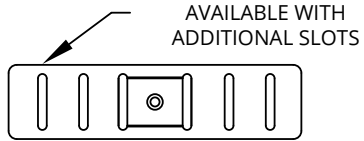
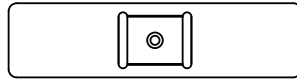
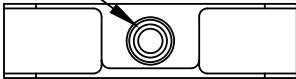
T-BAR HANGER

HEAVY DUTY

RATED FOR LOADS UP TO 20 LBS



3/8-16



AVAILABLE IN 1" INCREMENTS FROM 1 1/2" - 7 1/2"

STEEL

STAINLESS

RTG7150 - RTG7750

RTG7150S - RTG7750S

STEEL WITH ADDITIONAL SLOTS

STAINLESS WITH ADDITIONAL SLOTS

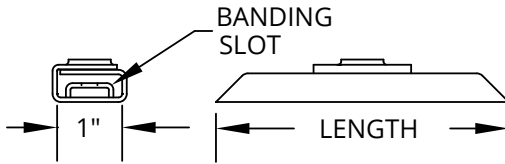
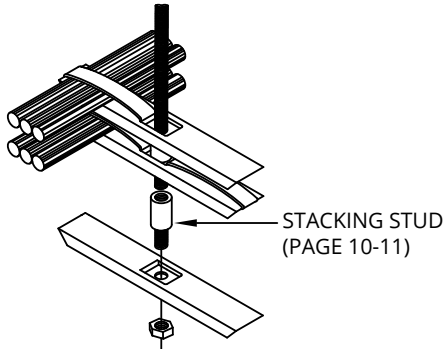
RTGS7350 - RTGS7750

RTGS7350S - RTGS7750S

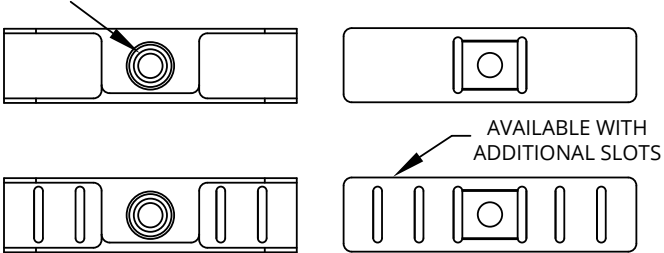
T-BAR HANGER

INVERTED T HEAVY DUTY

RATED FOR LOADS UP TO 20 LBS



3/8-16 THREAD WITH THRU HOLE



MAX LOAD: 2 TIER OFF BULKHEAD, 3 TIER OFF OVERHEAD

AVAILABLE IN 1" INCREMENTS FROM 2 1/2" - 7 1/2"

STEEL

RTGT7250 - RTGT7750

STAINLESS

RTGT7250S - RTGT7750S

STEEL WITH ADDITIONAL SLOTS

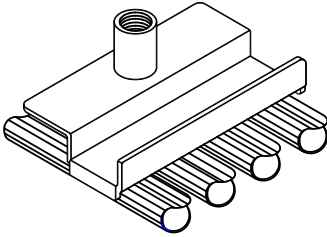
RTGTS7350 - RTGTS7750

STAINLESS WITH ADDITIONAL SLOTS

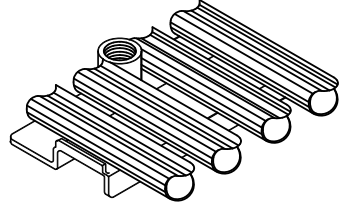
RTGT7S350S - RTGTS7750S

PLATE HANGER

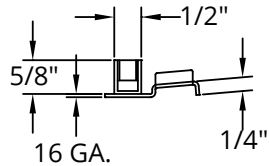
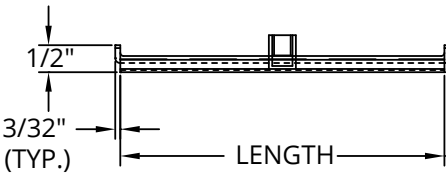
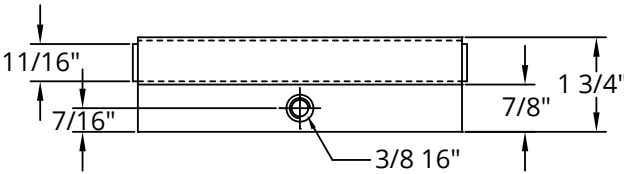
AVAILABLE IN TOP AND BOTTOM LOADING



BOTTOM LOADING



(INVERTED) TOP LOADING



AVAILABLE IN 1" INCREMENTS FROM 2" - 8"

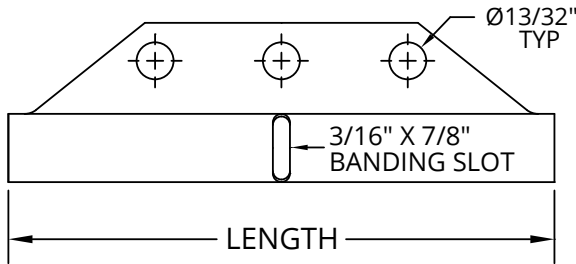
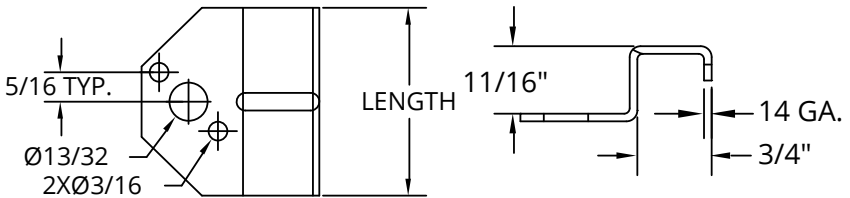
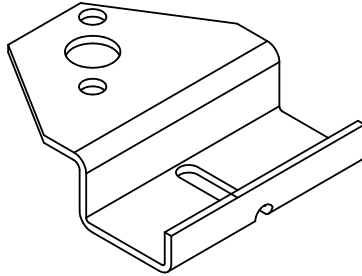
BOTTOM LOADING IN STEEL

RTW620B - RTW680B

TOP LOADING IN STEEL

RTW620T - RTW680T

CABLE SUPPORTS



3/4" LENGTH HAS ONE MOUNT HOLE ONLY
 1" - 3" HAS ONE MOUNT HOLE AND TWO RIVET HOLES
 4" - 6" HAS THREE MOUNT HOLES

AVAILABLE IN 1/2" INCREMENTS FROM 3/4", 1" - 6"

ALUMINUM

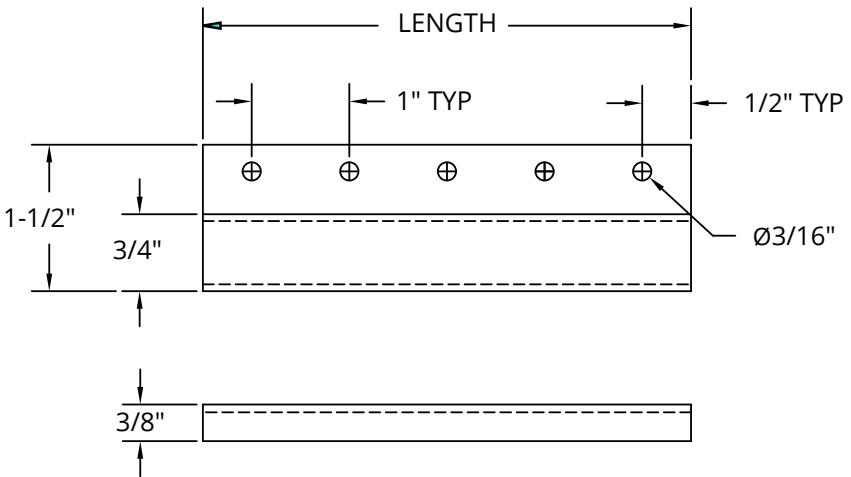
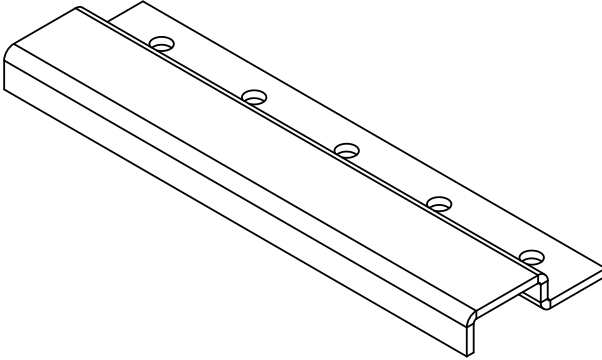
RTD6075A - RTD6600A

STEEL

RTD6075 - RTD6600

CABLE SUPPORT

HONEYCOMB SINGLE



AVAILABLE IN 1" INCREMENTS FROM 2" TO 8"

ALUMINUM

STEEL

STAINLESS

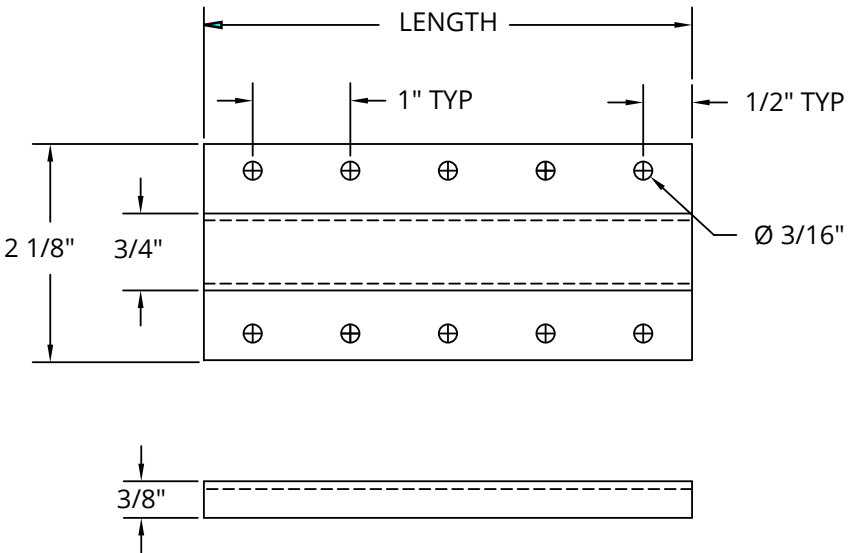
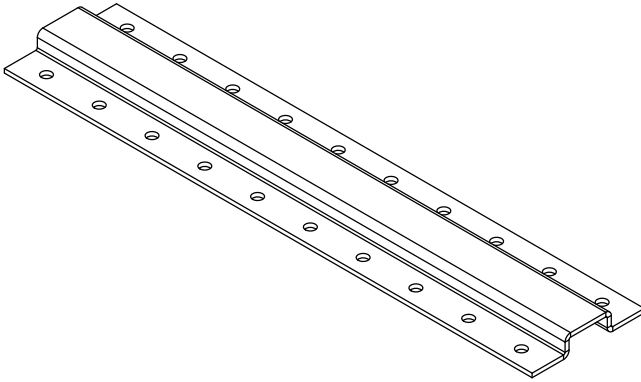
RT60201A - RT60801A

RT60201 - RT60801

RT60201S - RT60801S

CABLE SUPPORT

HONEYCOMB DOUBLE



AVAILABLE IN 1" INCREMENTS FROM 9" TO 13"

ALUMINUM

STEEL

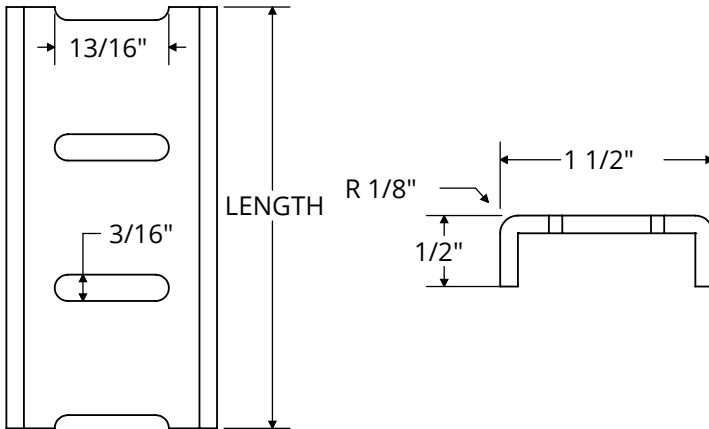
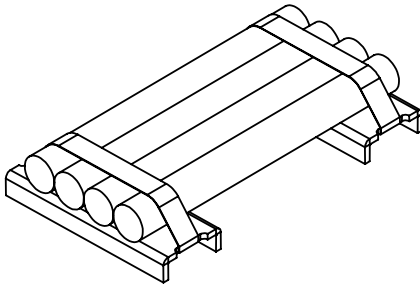
STAINLESS

RT60902A - RT61302A

RT60902 - RT61302

RT60902S - RT61302S

CHANNEL HANGER

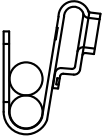


ADDITIONAL LENGTHS AVAILABLE

ALUMINUM	STEEL	LENGTH
9C01A	9C01S	1"
9C02A	9C02S	2"
9C03A	9C03S	3"
9C04A	9C04S	4"
9C12A	9C12S	12"
9C20A	9C20S	20"

LOCAL WIREWAYS

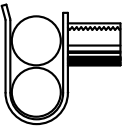
LOCAL WIREWAYS



PINCH HANGER GOLDEN LOKS

AVAILABLE IN:
SINGLES
DOUBLES
TRIPLES
QUADS (2)

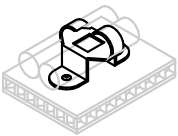
P. 4-3



PINCH HANGER WELDED

AVAILABLE IN:
SINGLES
DOUBLES
TRIPLES
QUADS

P. 4-4



PINCH HANGER HONEYCOMB BULKHEAD

RTD8125 - RTD8450 STEEL
RTD8125S - RTD8450S STAINLESS

P. 4-5

LOCAL WIREWAYS

NOTES

PINCH HANGER

GOLDEN LOKS



ALUMINUM	STEEL	A-DIA
RTGW1275	RTGW1275S	.275
RTGW1358	RTGW1358S	.371
RTGW1531	RTGW1531S	.531
RTGW1680	RTGW1680S	.680
RTGW1750	RTGW1750S	.750
RTGW1900	RTGW1900S	.900
RTGW1224	RTGW1224S	1.224



ALUMINUM	STEEL	A-DIA
RTGW1275	RTGW1275S	.275
RTGW1358	RTGW1358S	.371
RTGW1531	RTGW1531S	.531
RTGW1680	RTGW1680S	.680
RTGW1750	RTGW1750S	.750



ALUMINUM	STEEL	A-DIA
RTGW1275	RTGW1275S	.275
RTGW1358	RTGW1358S	.371



ALUMINUM	STEEL	A-DIA
RTG4531	RTG4531S	2 x .531

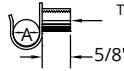


ALUMINUM	STEEL	A-DIA
RTG5750	RTG5750S	4 X .75

PINCH HANGER

WELDED

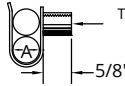
SINGLE HANGER



TAPPED IMPERIAL OR METRIC
3/8"-16 OR M10-1.5

STEEL	STEEL (M)	STAINLESS	STAINLESS (M)	A-DIA
RTW1275	RTM1275	RTW1275S	RTM1275S	.275
RTW1358	RTM1358	RTW1358S	RTM1358S	.371
RTW1531	RTM1531	RTW1531S	RTM1531S	.531
RTW1680	RTM1680	RTW1680S	RTM1680S	.680
RTW1750	RTM1750	RTW1750S	RTM1750S	.750
RTW1900	RTM1900	RTW1900S	RTM1900S	.900
RTW1224	RTM1224	RTW1224S	RTM1224S	1.224

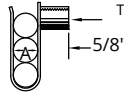
DOUBLE HANGER



TAPPED IMPERIAL OR METRIC
3/8"-16 OR M10-1.5

STEEL	STEEL (M)	STAINLESS	STAINLESS (M)	A-DIA
RTW2275	RTM2275	RTW2275S	RTM2275S	.275
RTW2358	RTM2358	RTW2358S	RTM2358S	.371
RTW2531	RTM2531	RTW2531S	RTM2531S	.531
RTW2680	RTM2680	RTW2680S	RTM2680S	.680
RTW2750	RTM2750	RTW2750S	RTM2750S	.750
RTW2900	RTM2900	RTW2900S	RTM2900S	.900
RTW2000	RTM2000	RTW2000S	RTM2000S	1.224

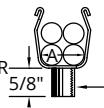
TRIPLE HANGER



TAPPED IMPERIAL OR METRIC
3/8"-16 OR M10-1.5

STEEL	STEEL (M)	STAINLESS	STAINLESS (M)	A-DIA
RTW3531	RTM3531	RTW3531S	RTM3531S	.531

QUAD HANGER

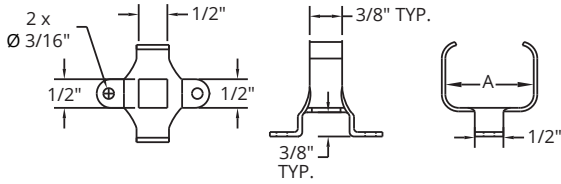


TAPPED IMPERIAL OR METRIC
3/8"-16 OR M10-1.5

STEEL	STEEL (M)	STAINLESS	STAINLESS (M)	A-DIA
RTW4531	RTM4531	RTW4531S	RTM4531S	2 x .531

PINCH HANGER

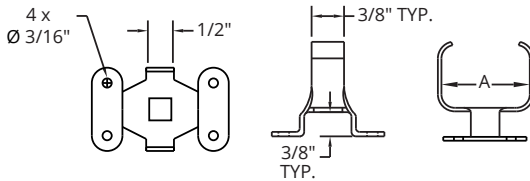
HONEYCOMB BULKHEAD



STEEL	STAINLESS	LEGS	CABLES	A-DIM	RIVET SIZE
RTD8125	RTD8125S	1	1	.300	4
RTD8150	RTD8150S	1	1	.550	6
RTD8250	RTD8250S	2	2	1.100	6
RTD8350	RTD8350S	2	3	1.650	6
RTD8450	RTD8450S	2	4	2.200	6

Honeycomb Bulkhead Modified

2 mounting holes on each side

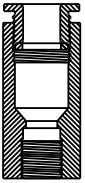


STEEL	STAINLESS	LEGS	CABLES	A-DIM	RIVET SIZE
RTD8150M	RTD8150SM	1	1	.550	6
RTD8250M	RTD8250SM	2	2	1.100	6
RTD8350M	RTD8350SM	2	3	1.650	6
RTD8450M	RTD8450SM	2	4	2.200	6



STUFFING TUBES

STUFFING TUBES

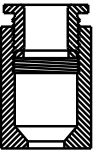


MIL-S-24235/9
FOR ELECTRIC CABLE PENETRATION OF DECKS AND BULKHEADS ON SURFACE SHIPS, PIPE MUST BE ADDED.
TYPE 48-6 STEEL. - TYPE 48-5 BRASS
SYMBOL: 1520 - 1542, 1570 - 1592

P. 5-3



MIL-S-24235/18
FOR ELECTRIC CABLE PENETRATION OF DECKS AND BULKHEADS ON SHIPS WITH PIPE PROTECTION REDUCED PENETRATION DIAMETER.
STEEL/STAINLESS/ALUMINUM - SWAGE TYPE
SYMBOL: 1821 - 1843, 1871 - 1893, 1911 - 1933, 1941 - 1963
P. 5-8



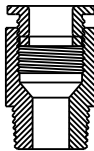
MIL-S-24235/10
FOR ELECTRIC CABLE PENETRATION OF DECKS AND BULKHEADS ON SHIPS WITHOUT PIPE PROTECTION.
TYPE 30-2A STEEL
SYMBOL: 1600 - 1622

P. 5-4



REDUCING ADAPTER
102BA - 102AAZ STEEL
112BA - 112AAZ ALUMINUM

P. 5-9



MIL-S-24235/13
FOR ELECTRIC CABLE PENETRATION OF CAST ENCLOSURES.
TYPE 21 ALUM. - TYPE 22B BRASS -
TYPE 22S STEEL
NO SYMBOL ASSIGNED

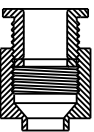
P. 5-5



SEALING PLUG
MIL-S-24235/19

100AST - 100AAS STEEL

P. 5-10



MIL-S-24235/14
FOR ELECTRIC PENETRATION OF SHEET METAL ENCLOSURES.
TYPE 51 STEEL. - TYPE 51B BRASS
NO SYMBOL ASSIGNED

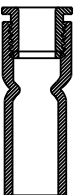
P. 5-6



EMI CONDUIT ADAPTER

7RTA××B - 7RTNA××B BRASS
7RTA××A - 7RTNA××A ALUMINUM
7RTA××C - 7RTNA××C STAINLESS

P. 5-11



MIL-S-24235/17
FOR ELECTRIC CABLE PENETRATION OF DECKS AND BULKHEADS ON SHIPS WITH PIPE PROTECTION
STEEL/ALUMINUM - SWAGE TYPE
SYMBOL: 1701 - 1723, 1731 - 1753, 1761 - 1783, 1791 - 1813

P. 5-7



NEOPAK

P-15187X - P-15500X

*** Limited Availability***

P. 5-12

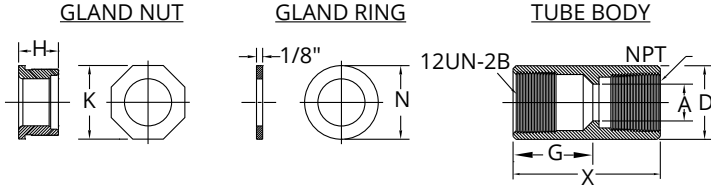
STUFFING TUBES

NOTES

STUFFING TUBES

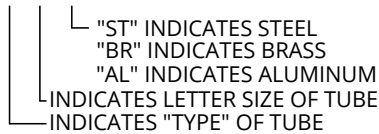
M24235/9 STUFFING TUBE ASSEMBLY

For electric cable penetration of decks and bulkheads on surface ships, pipe must be added.
 TYPE 48-6 STEEL. - TYPE 48-5 BRASS - SYMBOL: 1520 - 1542, 1570 - 1592



CATALOG NUMBERING SYSTEM M24235/9 STUFFING TUBE SAMPLE CATALOG NUMBER:

9-A-ST



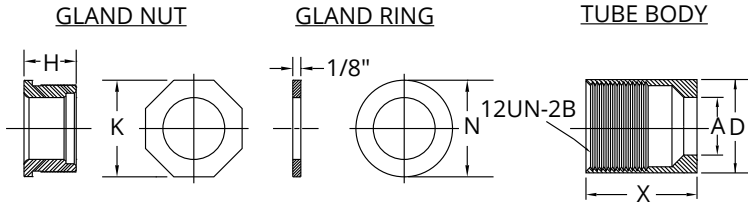
(OTHER MATERIALS AVAILABLE) SOME SIZES AVAILABLE WITH EXTENSIONS & LOCKNUTS

SIZE	A	G	H	D	K	N	X	NPT	12UN-2B
A	.406	1-5/8	1-1/16	1-1/8	1-1/32	3/4	2-3/4	3/8-18	7/8
B	.515	1-5/8	1-1/16	1-1/4	1-1/8	7/8	2-3/4	1/2-14	
C	.640	1-5/8	1-1/16	1-3/8	1-1/4	1.00	3.00	3/4-14	1-1/8
D	.750	1-5/8	1-1/16	1-1/2	1-3/8	1-1/8	3.00	3/4-14	1-1/4
E	.812	1-5/8	1-1/16	1-5/8	1-3/8	1-1/8	3-1/8	1-11-1/2	1-1/4
F	.843	1-5/8	1-1/16	1-5/8	1-7/16	1-3/16	3-1/8	1-11-1/2	1-5/16
G	.953	1-11/16	1-3/16	1-13/16	1-21/32	1-3/8	3-1/8	1-11-1/2	1-1/2
	1.062	1-11/16	1-3/16	2.00	1-25/32	1-1/2	3-1/8	1-1/4-11-1/2	1-5/8
K	1.171	3	1-1/2	2-1/16	1-7/8	1-5/8	4-1/2	1-1/4-11-1/2	1-3/4
L	1.265	3	1-1/2	2-1/8	1-15/16	1-11/16	4-1/2	1-1/4-11-1/2	1-13/16
M	1.406	3	1-1/2	2-5/16	2-3/16	1-7/8	4-1/2	1-1/2-11-1/2	2
N	1.515	3	1-9/16	2-7/16	2-1/4	1-15/16	4-1/2	1-1/2-11-1/2	2-1/16
P	1.625	3	1-9/16	2-3/4	2-11/32	2-1/16	4-1/2	2-11-1/2	2-3/16
R	1.750	3	1-9/16	2-3/4	2-15/32	2-3/16	4-1/2	2-11-1/2	2-5/16
S	1.875	5	2-3/16	3-1/16	2-13/16	2-9/16	7.00	2-11-1/2	2-11/16
T	2.062	5	2-3/16	3-1/4	2-31/32	2-3/4	7-1/4	2-1/2-8	2-7/8
V	2.187	5	2-3/16	3-3/8	3-3/32	2-7/8	7-1/4	2-1/2-8	3
W	2.312	5	2-3/16	3-1/2	3-9/32	3.00	7-1/4	2-1/2-8	3-1/8
X	2.500	5	2-3/16	3-7/8	3-7/16	3-1/8	7-1/4	3-8	3-1/4
Y	2.609	5	2-3/16	3-7/8	3-9/16	3-1/4	7-1/4	3-8	3-3/8
Z	2.781	5	2-3/16	3-15/16	3-3/4	3-7/16	7-1/4	3-8	3-9/16
AA	2.875	6-3/4	3-1/8	4-1/8	3-7/8	3-5/8	9.00	3-8	3-3/4
BB	3.157	6-3/4	3-1/8	4-1/2	4-1/8	3-7/8	9.00	3-1/2-8	4

STUFFING TUBES

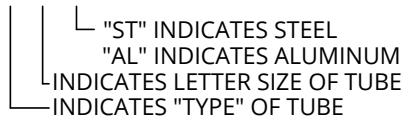
M24235/10 STUFFING TUBE ASSEMBLY

For electric cable penetration of decks and bulkheads on ships without pipe protection.
TYPE 30-2A STEEL - SYMBOL: 1600 - 1622



CATALOG NUMBERING SYSTEM M24235/10 STUFFING TUBE SAMPLE CATALOG NUMBER:

10-A-ST

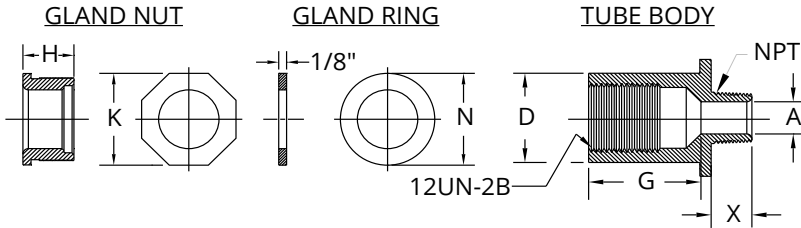


(OTHER MATERIALS AVAILABLE)							
SIZE	X	A	D	H	K	N	12UN-2B
A	1-3/4	.406	1-1/8	1-1/16	1-1/32	3/4	.875
B	1-3/4	.515	1-1/4	1-1/16	1-1/8	7/8	1.000
C	1-3/4	.640	1-3/8	1-1/16	1-1/4	1.00	1.125
D	1-3/4	.750	1-1/2	1-1/16	1-3/8	1-1/8	1.250
E	1-3/4	.812	1-5/8	1-1/16	1-3/8	1-1/8	1.250
F	1-3/4	.843	1-5/8	1-1/16	1-7/16	1-3/16	1.312
G	1-13/16	.953	1-13/16	1-3/16	1-21/32	1-3/8	1.500
J	1-13/16	1.062	2.00	1-3/16	1-25/32	1-1/2	1.625
K	3-1/8	1.171	2-1/16	1-1/2	1-7/8	1-5/8	1.750
L	3-1/8	1.265	2-1/8	1-1/2	1-15/16	1-11/16	1.812
M	3-1/8	1.406	2-5/16	1-1/2	2-3/16	1-7/8	2.000
N	3-1/8	1.515	2-7/16	1-9/16	2-1/4	1-15/16	2.062
P	3-1/8	1.625	2-3/4	1-9/16	2-11/32	2-1/16	2.188
R	3-1/8	1.750	2-3/4	1-9/16	2-15/32	2-3/16	2.312
S	5-1/8	1.875	3-1/16	2-3/16	2-13/16	2-9/16	2.688
T	5-1/8	2.062	3-1/4	2-3/16	2-31/32	2-3/4	2.875
V	5-1/8	2.187	3-3/8	2-3/16	3-3/32	2-7/8	3.000
W	5-1/8	2.312	3-1/2	2-3/16	3-9/32	3.00	3.125
X	5-1/8	2.500	3-7/8	2-3/16	3-7/16	3-1/8	3.250
Y	5-1/8	2.609	3-7/8	2-3/16	3-9/16	3-1/4	3.375
Z	5-1/8	2.781	3-15/16	2-3/16	3-3/4	3-7/16	3.562
AA	6-7/8	2.875	4-1/8	3-1/8	3-7/8	3-5/8	3.750
BB	6-7/8	3.157	4-1/2	3-1/8	4-1/8	3-7/8	4.000

STUFFING TUBES

M24235/13 STUFFING TUBE ASSEMBLY

For electric cable penetration of cast enclosures.
 TYPE 21 ALUM. - TYPE 22B BRASS - TYPE 22S STEEL - NO SYMBOL ASSIGNED



CATALOG NUMBERING SYSTEM M24235/13 STUFFING TUBE SAMPLE CATALOG NUMBER:

13-A-ST

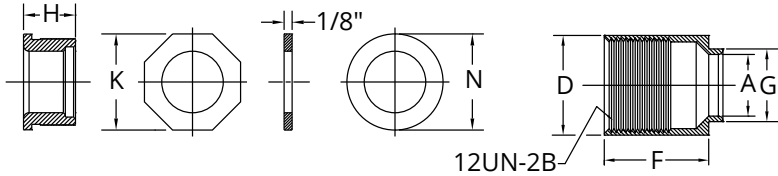
"ST" INDICATES STEEL
 "AL" INDICATES ALUMINUM
 "BR" INDICATES BRASS
 INDICATES LETTER SIZE OF TUBE
 INDICATES "TYPE" OF TUBE

(OTHER MATERIALS AVAILABLE)								
SIZE	X	G	A	D	NPT	N	H	K
A	1/2	1-3/8	.406	1-1/8	3/8-18	3/4	1-1/8	1-1/32
B	5/8	1-3/8	.515	1-1/4	1/2-14	7/8	1-1/8	1-1/8
C	5/8	1-3/8	.640	1-3/8	3/4-14	1.00	1-1/8	1-1/4
D	5/8	1-3/8	.750	1-1/2	3/4-14	1-1/8	1-1/8	1-3/8
E	5/8	1-3/8	.812	1-1/2	3/4-14	1-1/8	1-1/8	1-3/8
EE	3/4	1-3/8	.812	1-1/2	1-11-1/2	1-1/8	1-1/8	1-3/8
F	3/4	1-3/8	.843	1-9/16	1-11-1/2	1-3/16	1-1/4	1-7/16
G	3/4	1-3/8	.953	1-13/16	1-11-1/2	1-3/8	1-1/4	1-21/32
J	13/16	1-3/8	1.062	1-15/16	1-1/4-11-1/2	1-1/2	1-1/4	1-25/32
K	13/16	1-11/16	1.171	2-1/16	1-1/4-11-1/2	1-5/8	1-1/4	1-7/8
L	13/16	1-11/16	1.265	2-1/8	1-1/4-11-1/2	1-11/16	1-5/16	1-15/16
M	13/16	1-11/16	1.406	2-3/8	1-1/2-11-1/2	1-7/8	1-5/16	2-3/16
N	13/16	1-11/16	1.515	2-7/16	1-1/2-11-1/2	1-15/16	1-5/16	2-1/4
P	13/16	1-11/16	1.625	2-9/16	2-11-1/2	2-1/16	1-11/16	2-11/32
R	13/16	1-11/16	1.750	2-11/16	2-11-1/2	2-3/16	1-3/4	2-15/32
S	13/16	2-1/2	1.875	3-1/16	2-11-1/2	2-9/16	1-3/4	2-13/16
T	1-1/16	2-1/2	2.062	3-1/4	2-1/2-8	2-3/4	1-3/4	2-31/32
V	1-1/16	2-1/2	2.187	3-3/8	2-1/2-8	2-7/8	1-3/4	3-3/32
W	1-3/16	2-1/2	2.312	3-9/16	3-8	3.00	1-3/4	3-9/32
X	1-3/16	2-1/2	2.500	3-3/4	3-8	3-1/8	1-3/4	3-7/16
Y	1-3/16	2-1/2	2.609	3-7/8	3-8	3-1/4	1-3/4	3-9/16
Z	1-3/16	2-1/2	2.781	4-1/16	3-1/2-8	3-7/16	1-3/4	3-3/4

STUFFING TUBES

M24235/14 STUFFING TUBE ASSEMBLY

For electric penetration of sheet metal enclosures.
 TYPE 51 STEEL - TYPE 51B BRASS - NO SYMBOL ASSIGNED



CATALOG NUMBERING SYSTEM M24235/14 STUFFING TUBE SAMPLE CATALOG NUMBER:

14-A-ST

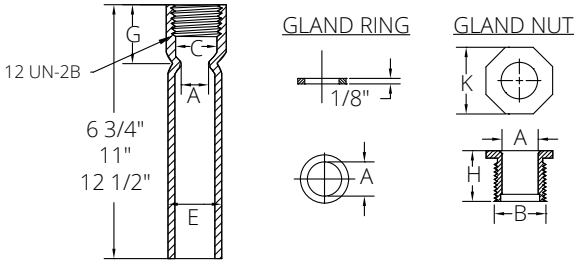
"ST" INDICATES STEEL
 "AL" INDICATES ALUMINUM
 "BR" INDICATES BRASS
 INDICATES LETTER SIZE OF TUBE
 INDICATES "TYPE" OF TUBE

(OTHER MATERIALS AVAILABLE)								
SIZE	F	A	G	D	N	H	K	12UN-2B
A	1-3/8	.406	.551	15/16	3/4	1-1/16	1-1/32	.875
B	1-3/8	.515	.660	1-1/16	7/8	1-1/16	1-1/8	1.000
C	1-3/8	.640	.785	1-3/16	1.00	1-1/16	1-1/4	1.125
D	1-3/8	.750	.895	1-5/16	1-1/8	1-1/16	1-3/8	1.250
E	1-3/8	.812	.957	1-5/16	1-1/8	1-1/16	1-3/8	1.250
F	1-3/8	.843	.988	1-3/8	1-3/16	1-1/16	1-7/16	1.312
G	1-3/8	.953	1.098	1-5/8	1-3/8	1-3/16	1-21/32	1.500
J	1-3/8	1.062	1.207	1-3/4	1-1/2	1-3/16	1-25/32	1.625
K	1-11/16	1.171	1.316	1-7/8	1-5/8	1-3/16	1-7/8	1.750
L	1-11/16	1.265	1.410	1-15/16	1-11/16	1-3/16	1-15/16	1.812
M	1-11/16	1.406	1.551	2-1/8	1-7/8	1-3/16	2-3/16	2.000
N	1-11/16	1.515	1.716	2-3/16	1-15/16	1-1/4	2-1/4	2.062
P	1-11/16	1.625	1.826	2-5/16	2-1/16	1-1/4	2-11/32	2.188
R	1-11/16	1.750	1.951	2-7/16	2-3/16	1-1/4	2-15/32	2.312
S	2-1/2	1.875	2.076	2-7/8	2-9/16	1-5/8	2-13/16	2.688
T	2-1/2	2.062	2.364	3-1/16	2-3/4	1-11/16	2-31/32	2.875
V	2-1/2	2.187	2.489	3-3/16	2-7/8	1-11/16	3-3/32	3.000
W	2-1/2	2.312	2.614	3-5/16	3.00	1-11/16	3-9/32	3.125
X	2-1/2	2.500	2.802	3-1/2	3-1/8	1-11/16	3-7/16	3.250
Y	2-1/2	2.609	2.911	3-5/8	3-1/4	1-11/16	3-9/16	3.375
Z	2-1/2	2.781	3.083	3-13/16	3-7/16	1-11/16	3-3/4	3.562
AA	3.00	2.875	3.177	4-1/16	3-5/8	2-1/16	3-7/8	3.750

STUFFING TUBES

M24235/17 STUFFING TUBE ASSEMBLY

For electric cable penetration of decks and bulkheads on ships with pipe protection
 STEEL/ALUMINUM - SWAGE TYPE - SYMBOL: 1701 - 1723, 1731 - 1753, 1761 - 1783, 1791 - 1813



LARGER PENETRATION SIZE THAN M24235/18

CATALOG NUMBERING SYSTEM M24235/17 STUFFING TUBE SAMPLE CATALOG NUMBER:

1A1SC

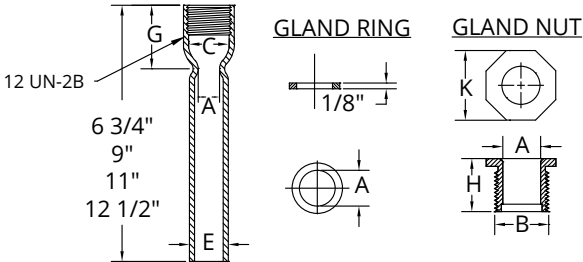
- "C" INDICATES COMPLETE WITH NUT AND WASHER
- "S" INDICATES STEEL
- "A" INDICATES ALUMINUM
- INDICATES LENGTH
 6 = 6.75" (size a-z), 1 = 11", 2 = 12.5"
- INDICATES LETTER SIZE OF TUBE

SIZE	MOUNT HOLE	WALL THICKNESS	A	B	C	E	G	H	K
A	1-1/8	.113	.406	7/8	.767	1-1/16	1-5/8	1-1/16	1-1/32
B	1-1/8	.113	.515	1	.892	1-1/16	1-5/8	1-1/16	1-1/8
C	1-3/8	.133	.640	1-1/8	1.017	1-5/16	1-5/8	1-1/16	1-1/4
D	1-3/8	.133	.750	1-1/4	1.142	1-5/16	1-5/8	1-1/16	1-3/8
E	1-3/8	.133	.812	1-1/4	1.142	1-5/16	1-5/8	1-1/16	1-3/8
F	1-3/8	.133	.843	1-5/16	1.204	1-5/16	1-5/8	1-1/16	1-7/16
G	1-23/32	.140	.953	1-1/2	1.392	1-21/32	1-11/16	1-3/16	1-21/32
J	1-31/32	.145	1.062	1-5/16	1.517	1-29/32	1-11/16	1-3/16	1-25/32
K	1-31/32	.145	1.172	1-3/4	1.642	1-29/32	3	1-1/2	1-7/8
L	1-31/32	.145	1.265	1-13/16	1.704	1-29/32	3	1-1/2	1-15/16
M	2-7/16	.154	1.406	2	1.892	2-3/8	3	1-9/16	2-3/16
N	2-7/16	.154	1.515	2-1/16	1.954	2-3/8	3	1-9/16	2-1/4
P	2-7/16	.154	1.625	2-3/16	2.079	2-3/8	3	1-9/16	2-11/16
R	2-7/16	.154	1.750	2-5/16	2.204	2-3/8	3	1-9/16	2-15/32
S	2-15/16	.203	.875	2-11/16	2.579	2-7/8	5	2-3/16	2-13/16
T	3-9/16	.216	.062	2-7/8	2.767	3-1/2	5	2-3/16	2-31/32
V	3-9/16	.216	2.187	3	2.892	3-1/2	5	2-3/16	3-31/32
W	3-9/16	.216	2.312	3-1/8	3.017	3-1/2	5	2-3/16	3-3/32
X	3-9/16	.216	2.500	3-1/4	3.142	3-1/2	5	2-3/16	3-7/16
Y	4-1/16	.226	2.609	3-3/8	3.267	4	5	2-3/16	3-9/16
Z	4-1/16	.226	2.781	3-9/16	3.454	4	5	2-3/16	3-3/4
AA	4-1/16	.226	.875	3-3/4	.642	4	6-3/4	3-1/8	3-7/8
BB	4-9/16	.237	.157	4	.892	4-1/2	6-3/4	3-1/8	4-1/8

STUFFING TUBES

M24235/18 STUFFING TUBE ASSEMBLY

For electric cable penetration of decks and bulkheads on ships with pipe protection reduced penetration diameter.
 STEEL/STAINLESS/ALUMINUM - SWAGE TYPE - SYMBOL: 1821 - 1843, 1871 - 1893, 1911 - 1933, 1941 - 1963



SMALLER PENETRATION SIZE THAN M24235/17

CATALOG NUMBERING SYSTEM M24235/18 STUFFING TUBE SAMPLE CATALOG NUMBER:

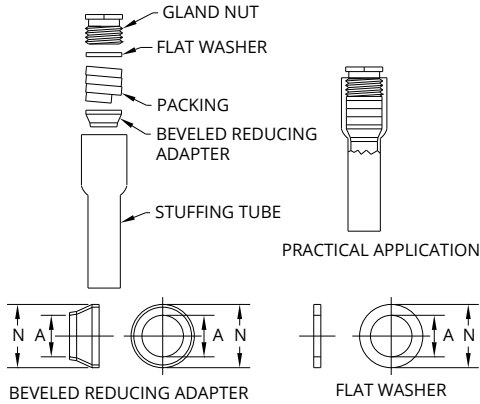
0A1SC

- | "C" INDICATES COMPLETE WITH NUT AND WASHER
- | "S" INDICATES STEEL
- | "A" INDICATES ALUMINUM
- | "SS" INDICATES STAINLESS STEEL
- | INDICATES LENGTH
- | 6 = 6.75" (size a-r), 9 = 9" (size s-bb), 1 = 11", 2 = 12.5"
- | INDICATES LETTER SIZE OF TUBE
- | Size a-g available in 90 degree bends

*INDICATES HOST TUBES

SIZE	MOUNT HOLE	WALL THICKNESS	A	B	C	E	G	H	K
A	29/32	840	0.406	7/8	.767	27/32	1-5/8	1-1/16	1-1/32
*B	29/32	840	0.515	1	.892	27/32	1-5/8	1-1/16	1-1/8
C	1-1/8	113	0.640	1-1/8	1.017	1-1/16	1-5/8	1-1/16	1-1/4
*D	1-1/8	113	0.750	1-1/4	1.142	1-1/16	1-5/8	1-1/16	1-3/8
E	1-25/64	133	0.812	1-1/4	1.142	1-21/64	1-5/8	1-1/16	1-3/8
F	1-25/64	133	0.843	1-5/16	1.204	1-21/64	1-5/8	1-1/16	1-7/16
*G	1-25/64	133	0.953	1-1/2	1.392	1-21/64	1-11/16	1-3/16	1-21/32
J	1-23/32	140	1.062	1-5/8	1.517	1-21/32	1-11/16	1-3/16	1-25/32
K	1-23/32	0.140	1.171	1-3/4	1.642	1-21/32	3	1-1/2	1-7/8
*L	1-23/32	140	1.265	1-13/16	1.704	1-21/32	3	1-1/2	1-15/16
M	1-31/32	145	1.406	2	1.892	1-29/32	3	1-1/2	2-3/16
*N	1-31/32	145	1.515	2-1/16	1.954	1-29/32	3	1-9/16	2-1/4
P	2-7/16	154	1.625	2-3/16	2.079	2-3/8	3	1-9/16	2-11/32
R	2-7/16	154	1.750	2-5/16	2.204	2-3/8	3	1-9/16	2-15/32
*S	2-7/16	154	1.875	2-11/16	2.579	2-3/8	5	2-3/16	2-13/16
T	2-15/16	203	2.062	2-7/8	2.767	2-7/8	5	2-3/16	2-31/32
V	2-15/16	203	2.187	3	2.892	2-7/8	5	2-3/16	3-3/32
*W	2-15/16	0.203	2.312	3-1/8	3.017	2-7/8	5	2-3/16	3-9/32
X	3-9/16	216	2.500	3-1/4	3.142	3-1/2	5	2-3/16	3-7/16
Y	3-9/16	216	2.609	3-3/8	3.267	3-1/2	5	2-3/16	3-9/16
Z	3-9/16	216	2.781	3-9/16	3.454	3-1/2	5	2-3/16	3-3/4
*AA	3-9/16	216	2.875	3-3/4	3.642	3-1/2	6-3/4	3-1/8	3-7/8
*BB	4-1/16	0.226	3.157	4	3.892		6-3/4	3-1/8	4-1/8

REDUCING ADAPTER

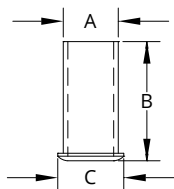
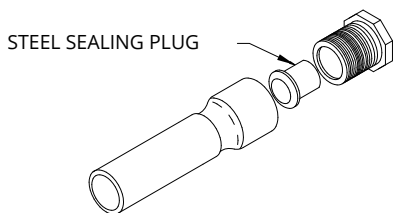


**CATALOG NUMBER CONSISTS OF ONE BEVELED REDUCING ADAPTER AND ONE FLAT WASHER
ADDITIONAL SIZES AVAILABLE**

CATALOG# STEEL	CATALOG# ALUM	HOST TUBE	REDUCTION SIZE	N DIA	A DIA	LISTED IN EPISM
102BA	112BA	B	A	.875	.406	*
102CA	112CA	C	A	.955	.406	
102CB	112CB	C	B	.955	.515	
102DA	112DA	D	A	1.032	.406	*
102DB	112DB	D	B	1.032	.515	*
102DC	112DC	D	C	1.032	.640	*
102ED	112ED	E	D	1.080	.750	
102FC	112FC	F	C	1.080	.640	
102FD	112FD	F	D	1.142	.750	
102GB	112GB	G	B	1.360	.516	*
102GC	112GC	G	C	1.360	.640	*
102GD	112GD	G	D	1.360	.750	*
102GE	112GE	G	E	1.360	.812	*
102GF	112GF	G	F	1.360	.843	*
102JD	112JD	J	D	1.455	.750	
102KD	112KD	K	D	1.580	.750	
102KJ	112KJ	K	J	1.580	1.062	
102LD	112LD	L	D	1.703	.750	*
102LG	112LG	L	G	1.703	.953	*
102LJ	112LJ	L	J	1.703	1.062	*
102LK	112LK	L	K	1.703	1.172	*
102M K	112MK	M	K	1.830	1.172	
102M L	112ML	M	L	1.830	1.265	
102NL	112N L	N	L	1.875	1.265	*
102NM	112NM	N	M	1.875	1.406	*
102PM	112PM	P	M	2.017	1.406	
102RM	112RM	R	M	2.142	1.406	
102RN	112RN	R	N	2.142	1.515	
102SN	112SN	S	N	2.562	1.515	*
102SP	112S P	S	P	2.562	1.625	*
102SR	112S R	S	R	2.562	1.750	*
102TR	112T R	T	R	2.705	1.750	
102TS	112TS	T	S	2.705	1.875	
102W R	112WR	W	R	3.000	1.750	
102WS	112WS	W	S	3.000	1.875	*
102WT	112WT	W	T	3.000	2.062	*
102WV	112WV	W	V	3.000	2.187	*
102AAX	112AAX	AA	X	3.625	2.500	*
102AAY	112AAY	AA	Y	3.625	2.609	*
102AAZ	112AAZ	AA	Z	3.625	2.781	*

SEALING PLUG

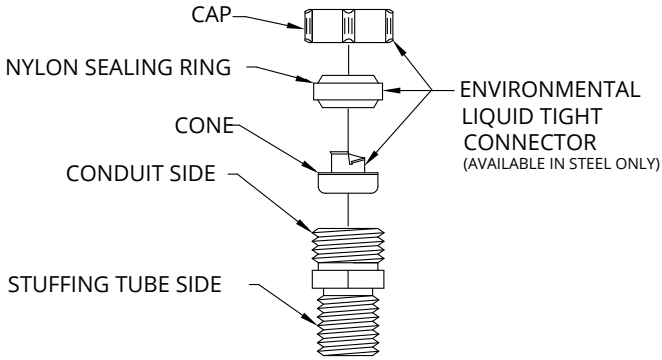
M24235/19 STUFFING TUBE PLUG



A SEALING PLUG IS USED WHEN DESIGN NECESSITATES ELIMINATION OF CABLE IN AN INSTALLED STUFFING TUBE

STEEL	ALUMINUM	TUBE SIZE	C	A	B
I00AST	I00AAL	A	.71	.38	1.0
I00BST	I00BAL	B	.84	.50	1.0
I00CST	I00CAL	C	.96	.54	1.0
I00DST	I00DAL	D	1.06	.68	1.63
I00EST	I00EAL	E	1.12	.68	1.63
I00FST	I00FAL	F	1.15	.68	1.63
I00GST	I00GAL	G	1.28	.84	1.63
I00JST	I00JAL	J	1.46	1.05	1.63
I00KST	I00KAL	K	1.59	1.05	3.0
I00LST	I00LAL	L	1.68	1.05	3.0
I00MST	I00MAL	M	1.84	1.32	3.0
I00NST	I00NAL	N	1.93	1.32	3.0
I00PST	I00PAL	P	2.03	1.32	3.0
I00RST	I00RAL	R	2.15	1.66	3.0
I00SST	I00SAL	S	2.28	1.90	5.0
I00TST	I00TAL	T	2.46	1.90	5.0
I00VST	I00VAL	V	2.59	1.90	5.0
I00WST	I00WAL	W	2.71	2.38	5.0
I00XST	I00XAL	X	2.90	2.38	5.0
I00YST	I00YAL	Y	3.03	2.38	5.0
I00ZST	I00ZAL	Z	3.18	2.38	5.0
I00AAST	I00AAAL	AA	3.28	2.38	3.31

EMI CONDUIT ADAPTER

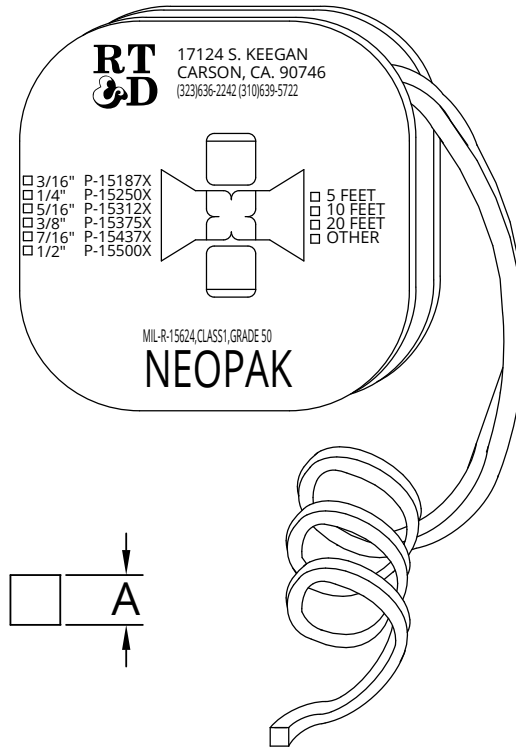


ADDITIONAL SIZES AVAILABLE UPON REQUEST

BRASS	ALUMINUM	STAINLESS	TUBE SIZE	CONDUIT SIZE
7RTA038B	7RTA038A	7RTA038C	A	3/8"
7RTB038B	7RTB038A	7RTB038C	B	3/8"
7RTB050B	7RTB050A	7RTB050C	B	1/2"
7RTC050B	7RTC050A	7RTC050C	C	1/2"
7RTC075B	7RTC075A	7RTC075C	C	3/4"
7RTD075B	7RTD075A	7RTD075C	D	3/4"
7RTD100B	7RTD100A	7RTD100C	D	1"
7RTE075B	7RTE075A	7RTE075C	E	3/4"
7RTF100B	7RTF100A	7RTF100C	F	1"
7RTG100B	7RTG100A	7RTG100C	G	1"
7RTG125B	7RTG125A	7RTG125C	G	1-1/4"
7RTJ100B	?RTJ100A	7RTJ100C	J	1"
7RTJ125B	7RTJ125A	7RTJ125C	J	1-1/4"
7RTJ150B	7RTJ150A	7RTJ150C	J	1-1/2"
7RTK125B	7RTK125A	7RTK125C	K	1-1/4"
7RTL125B	7RTL125A	7RTL125C	L	1-1/4"
7RTM125B	7RTM125A	7RTM125C	M	1-1/4"
7RTM150B	7RTM150A	7RTM150C	M	1-1/2"
7RTM200B	7RTM200A	7RTM200C	M	2"
7RTN150B	7RTN150A	7RTN150C	N	1-1/2"
7RTN200B	7RTN200A	7RTN200C	N	2"
7RTP150B	7RTP150A	7RTP150C	P	1-1/2"
7RTP200B	7RTP200A	7RTP200C	P	2"
7RTS200B	7RTS200A	7RTS200C	S	2"
7RTW250B	7RTW250A	7RTW250C	W	2-1/2"
7RTX300B	7RTX300A	7RTX300C	X	3"
7RTAA300B	7RTAA300A	7RTAA300C	AA	3"

NEOPAK

PACKING FOR STUFFING TUBES



MIL-R-15624, CLASS 1, GRADE 50

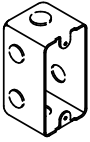
*** NO REINFORCING WIRE ***

*** LIMITED AVAILABILITY ***

A-DIM	NON-REINFORCED	FEET/ROLL
3/16"	P-15187X	20'
1/4"	P-15250X	10'
5/16"	P-15312X	10'
3/8"	P-15375X	10'
7/16"	P-15437X	10'
1/2"	P-15500X	5'

ELECTRICAL BOXES

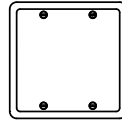
ELECTRICAL BOXES



SINGLE GANG OUTLET BOX

BX42XXXX
 COMPLIES WITH UL-514A
 COMPLIES WITH S6202-73980
 METHOD 3575 - SYMBOL: 406.2

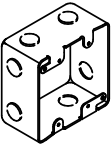
P. 6-4



TWO GANG BOX COVERS

BX44COV4K STEEL
 BX44COVA ALUMINUM

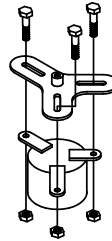
P. 6-8



TWO GANG OUTLET BOX

BX448XXX
 COMPLIES WITH UL-514A
 COMPLIES WITH S6202-73980
 METHOD 3575 - SYMBOL: 406.1

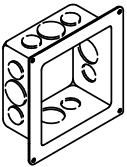
P. 6-5



SYMBOL BOX MOUNTING BRACKET- STUD WELD

EFB00 - EFB03 STEEL
 EFB00A - EFB03A ALUMINUM
 EFB00S - EFB03S STAINLESS

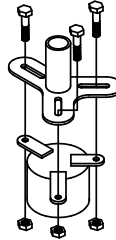
P. 6-9



OVERSIZE JUNCTION BOX

BX552CPS STEEL

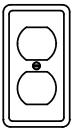
P. 6-6



SYMBOL BOX MOUNTING BRACKET- WELD

EFW00 - EFW03 STEEL

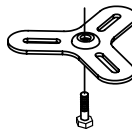
P. 6-10



SINGLE GANG BOX COVERS

BX42COVTK STEEL BX42COVTA ALUMINUM
 BX42COVKK STEEL
 BX42COVBK STEEL BX42COVA ALUMINUM
 BX42COVDK STEEL BX42COVDA ALUMINUM

P. 6-7

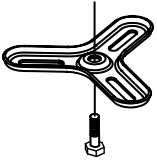


SYMBOL BOX MOUNTING BRACKET- HEX HEAD

EFH014S - EFH024S STEEL
 EFH014C - EFH024C STAINLESS

P. 6-11

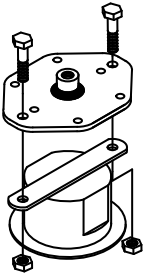
ELECTRICAL BOXES



SYMBOL BOX MOUNTING BRACKET- HEX HEAD

EFH014FS - EFH024FS STEEL
EFH014FC - EFH024FC STAINLESS

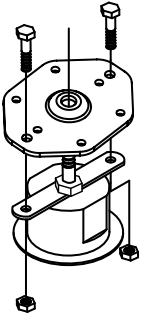
P. 6-12



SYMBOL BOX MOUNTING BRACKET- STUD WELD

EFB04 STEEL 3/8-16 STUD
EFB04B STEEL 1/2-13 STUD
EFB04S STAINLESS 3/8-16 STUD
EFB04BS STAINLESS 1/2-13 STUD

P. 6-13



SYMBOL BOX MOUNTING BRACKET- HEX HEAD

EFH044S STEEL
EFH044C STAINLESS

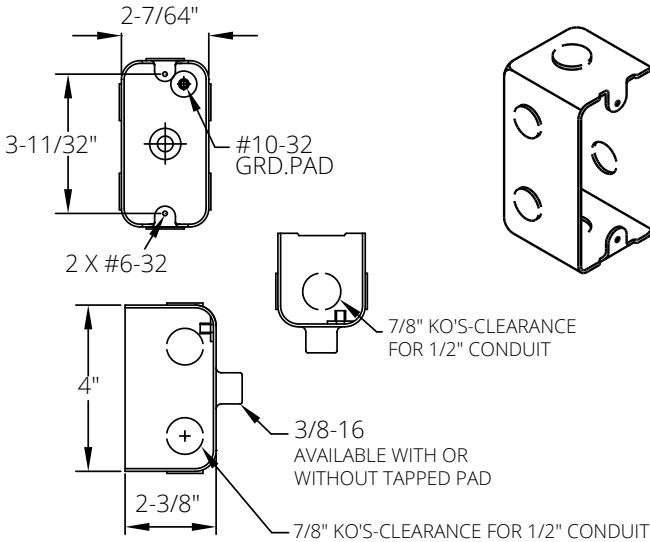
P. 6-14

ELECTRICAL BOXES

NOTES

SINGLE GANG OUTLET BOX

WITH OR WITHOUT TAPPED PAD



Drawn 2x4 rectangular utility boxes are available with welded studs for easy mounting to the ship's bulkhead. Steel boxes are electrogalvanized.

Each 7/8" inch knockout is punched outwards so no slugs will fall into the box. Mounting stud is female type, size 3/8-16. All boxes are equipped with a ground pad suitable for a #10-32 screw. A variety of stamped steel or aluminum covers are available in blank, duplex receptacle, and toggle switch configurations.

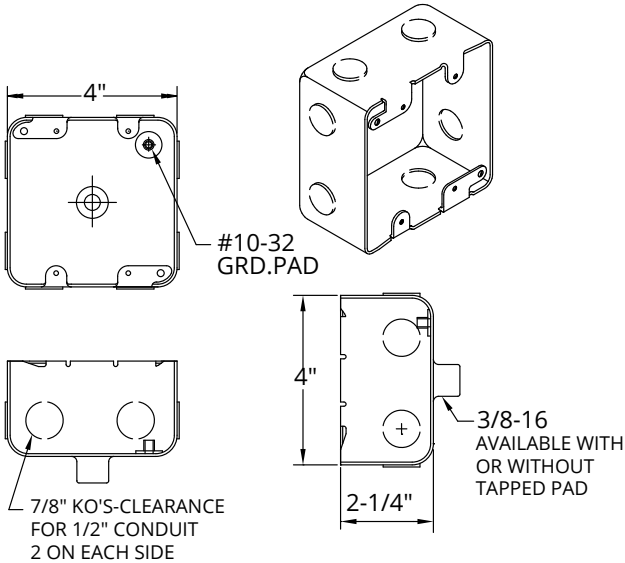
COMPLIES WITH UL-514A - SYMBOL # 406.2
COMPLIES WITH S6202-73980 - METHOD 3575

STEEL			
PART #	# KNOCKOUTS	STUD	COVER.
BX422XXS	2		
BX422XPS	2	•	
BX422CPS	2	•	•
BX426XXI	6		
BX426XPI	6	•	

ALUMINUM			
PART #	# KNOCKOUTS	STUD	COVER.
BX422XXA	2		
BX422XPA	2	•	
BX422CPA	2	•	•

TWO GANG OUTLET BOX

WITH OR WITHOUT TAPPED PAD



Drawn 4x4 SQUARE utility boxes are available with welded studs for easy mounting to the ship's bulkhead. Steel boxes are electrogalvanized.

Each 7/8" inch knockout is punched outwards so no slugs will fall into the box. Mounting stud is female type, size 3/8-16. All boxes are equipped with a ground pad suitable for a #10-32 screw. A variety of stamped steel or aluminum covers are available in blank, duplex receptacle, and toggle switch configurations.

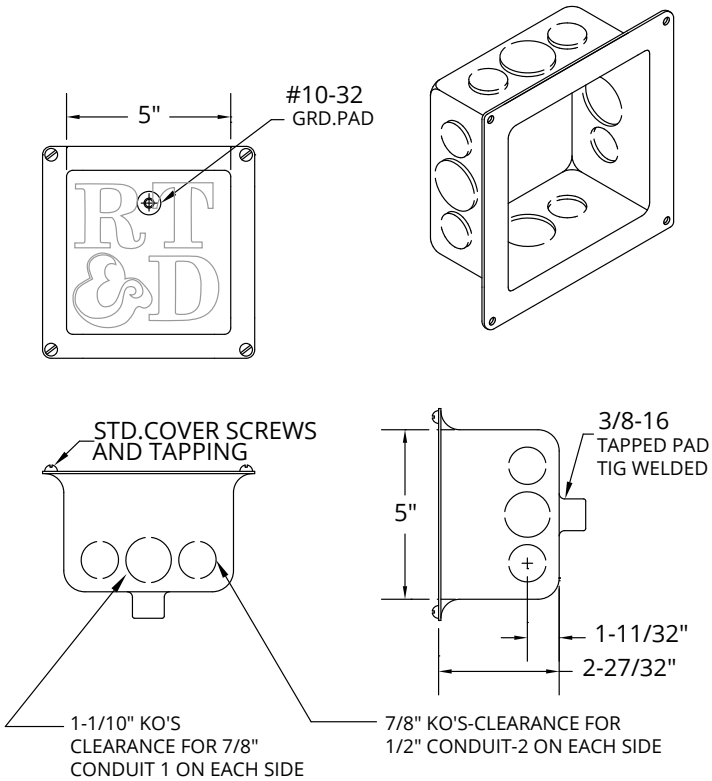
COMPLIES WITH UL-514A - SYMBOL # 406.1
COMPLIES WITH S6202-73980 - METHOD 3575

STEEL			
PART #	# KNOCKOUTS	STUD	COVER.
BX448XXI	8		
BX448XPI	8	•	
BX448CPS	8	•	•

ALUMINUM			
PART #	# KNOCKOUTS	STUD	COVER.
BX448XPA	8	•	
BX448XXA	8		

OVERSIZE JUNCTION BOX

WITH TAPPED PAD AND COVER



Drawn steel 5x5 oversize square utility boxes have welded studs for easy mounting to the ship's bulkhead. Boxes are electrogalvanized.

Each 7/8" and 1-1/10" inch knockout is punched outwards so no slugs will fall into the box. Mounting stud is female type, size 3/8-16. All boxes are equipped with a ground pad suitable for a #10-32 screw. A blanked stamped steel cover is included.

STEEL

PART #

KNOCKOUTS

STUD

COVER.

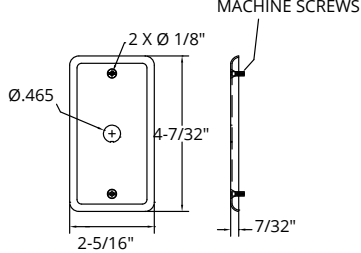
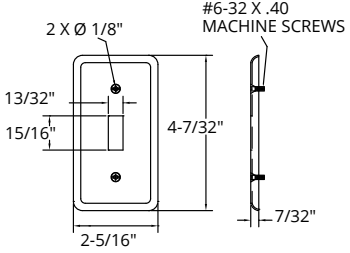
BX552CPS

12

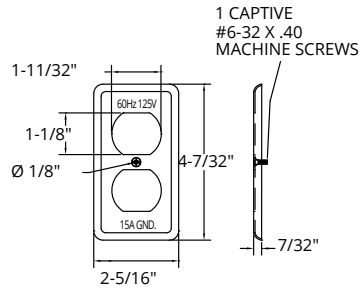
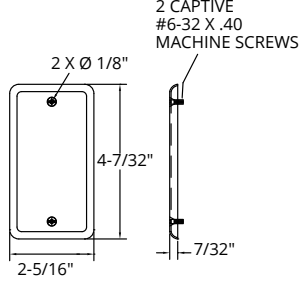
•

•

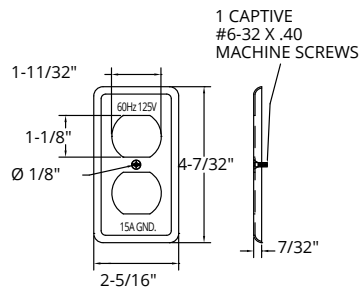
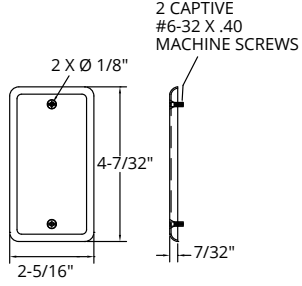
SINGLE GANG BOX COVER



STEEL	ALUMINUM	STEEL
BX42COVTK	BX42COVTA	BX42COVKK

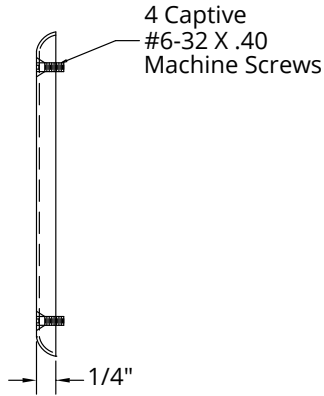
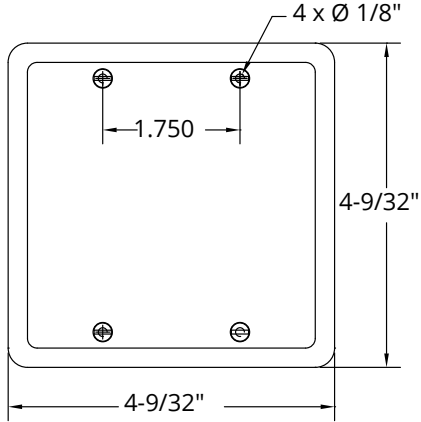


STEEL	ALUMINUM	STEEL	ALUMINUM
BX42COVBK	BX42COVA	BX42COVDK	BX42COVDA
		BX42COVD NO TEXT	BX42COVDA NO TEXT



STEEL	STEEL
BX42COVG	BX42COVRJ

TWO GANG BOX COVER



STEEL

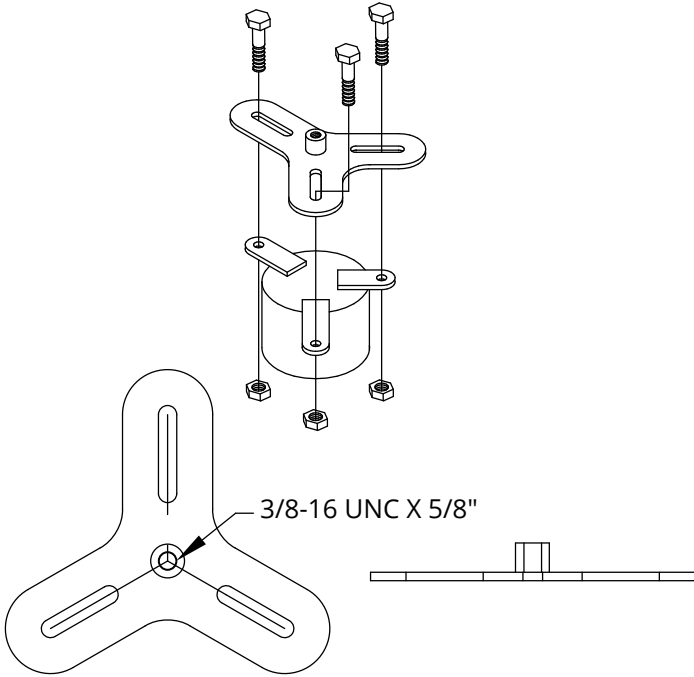
BX44COV4K

ALUMINUM

BX44COVA

SYMBOL BOX MOUNTING BRACKET

STUD WELD

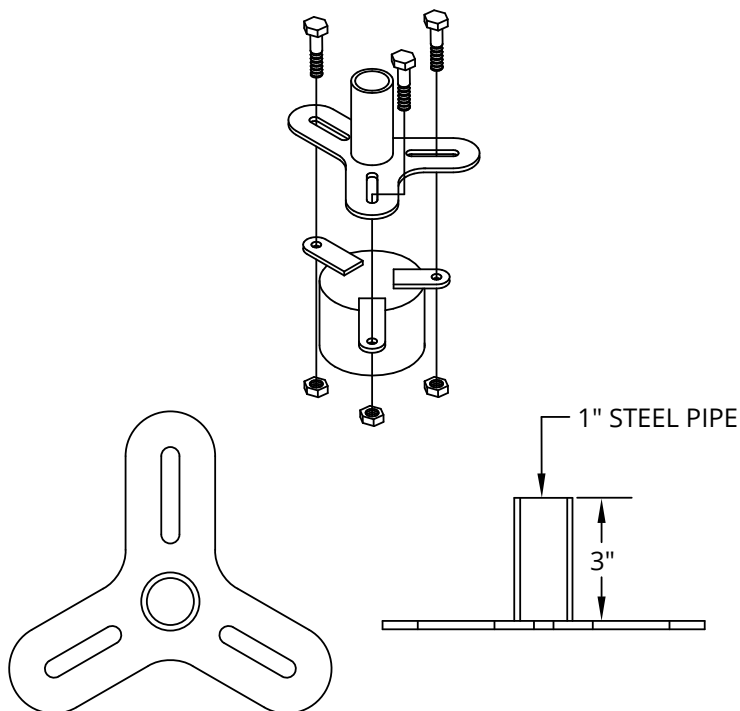


AVAILABLE IN STEEL OR ALUMINUM

STEEL	ALUMINUM	STEEL	ALUMINUM	STEEL	ALUMINUM	STEEL	ALUMINUM
EFB00	EFB00A	EFB01	EFB01A	EFB02	EFB02A	EFB03	EFB03A
ELECTRICAL SYMBOL NO.	ELECTRICAL SYMBOL NO.	ELECTRICAL SYMBOL NO.	ELECTRICAL SYMBOL NO.	ELECTRICAL SYMBOL NO.	ELECTRICAL SYMBOL NO.	ELECTRICAL SYMBOL NO.	ELECTRICAL SYMBOL NO.
400.1		400.1	829.1	435.1	2627.3	434	
804.1		400.2	850.1	671.1	2628	915.1	
829.1		400.3	857	960	2628.1	2788	
1148.1		400.4	862	2622.1	2628.2	2788.1	
		520.1	863	2622.2	2860.1	2819.1	
		528	879.1	2622.3	2986	2819.2	
		801.2	1148.1	2626	2987	2819.3	
		804.1	1148.2	2627		2819.4	
		805.1	1148.3	2627.1			
		827.1		2627.2			

SYMBOL BOX MOUNTING BRACKET

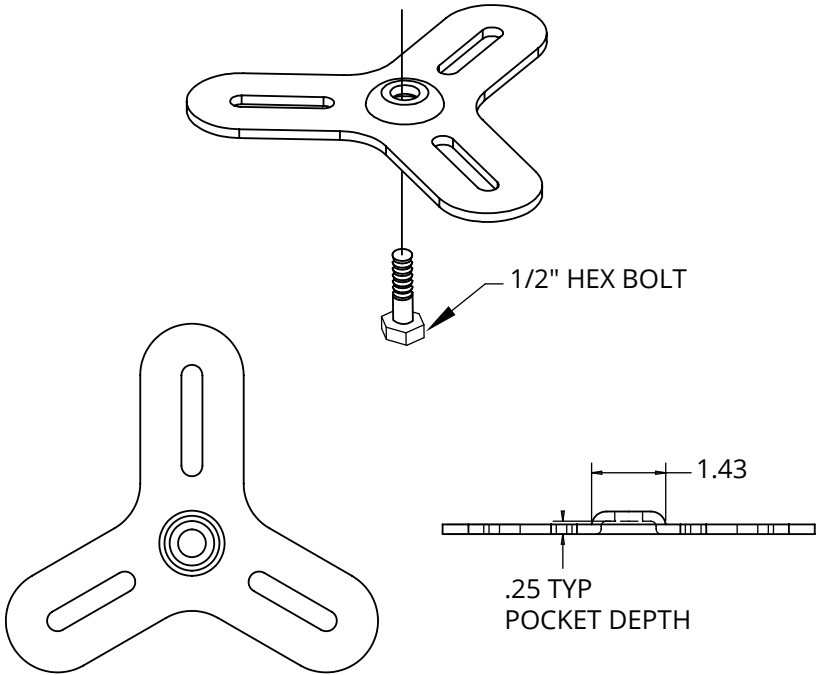
WELD TYPE



AVAILABLE IN STEEL							
EFW00		EFW01		EFW02		EFW03	
ELECTRICAL SYMBOL NO.		ELECTRICAL SYMBOL NO.		ELECTRICAL SYMBOL NO.		ELECTRICAL SYMBOL NO.	
400.1	400.1	829.1	435.1	2627.3	434		
804.1	400.2	850.1	671.1	2628	915.1		
829.1	400.3	857	960	2628.1	2788		
1148.1	400.4	862	2622.1	2628.2	2788.1		
	520.1	863	2622.2	2860.1	2819.1		
	528	879.1	2622.3	2986	2819.2		
	801.2	1148.1	2626	2987	2819.3		
	804.1	1148.2	2627		2819.4		
	805.1	1148.3	2627.1				
	827.1		2627.2				

SYMBOL BOX MOUNTING BRACKET

HEX HEAD MOUNT

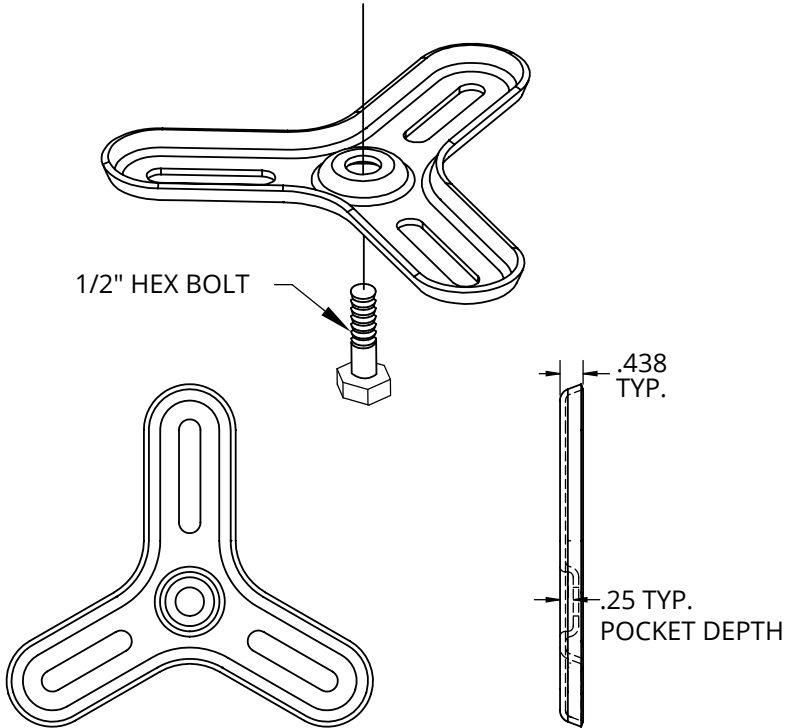


AVAILABLE IN STEEL

STEEL	STAINLESS	STEEL	STAINLESS
EFH014S	EFH014C	EFH024S	EFH024C
ELECTRICAL SYMBOL NO		ELECTRICAL SYMBOL NO	
400.1	829.1	435.1	2627.3
400.2	850.1	671.1	2628
400.3	857	960	2628.1
400.4	862	2622.1	2628.2
520.1	863	2622.2	2860.1
528	879.1	2622.3	2986
801.2	1148.1	2626	2987
804.1	1148.2	2627	
805.1	1148.3	2627.1	
827.1		2627.2	

SYMBOL BOX MOUNTING BRACKET

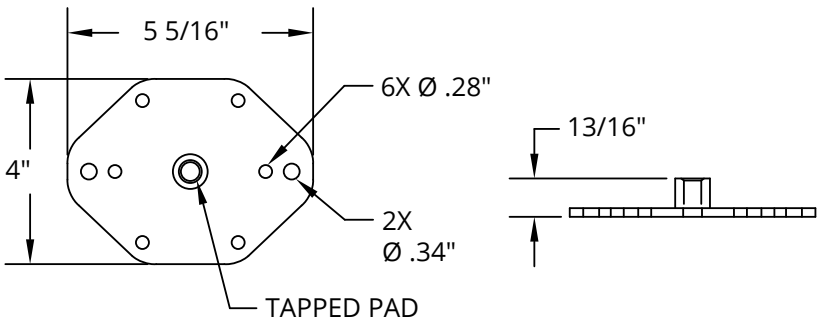
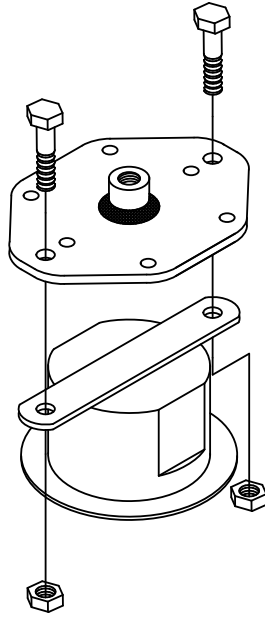
HEX HEAD MOUNT



AVAILABLE IN STEEL			
STEEL	STAINLESS	STEEL	STAINLESS
EFH014FS	EFH014FC	EFH024FS	EFH024FC
ELECTRICAL SYMBOL NO		ELECTRICAL SYMBOL NO	
400.1	829.1	435.1	2627.3
400.2	850.1	671.1	2628
400.3	857	960	2628.1
400.4	862	2622.1	2628.2
520.1	863	2622.2	2860.1
528	879.1	2622.3	2986
801.2	1148.1	2626	2987
804.1	1148.2	2627	
805.1	1148.3	2627.1	
827.1		2627.2	

SYMBOL BOX MOUNTING BRACKET

STUD WELD



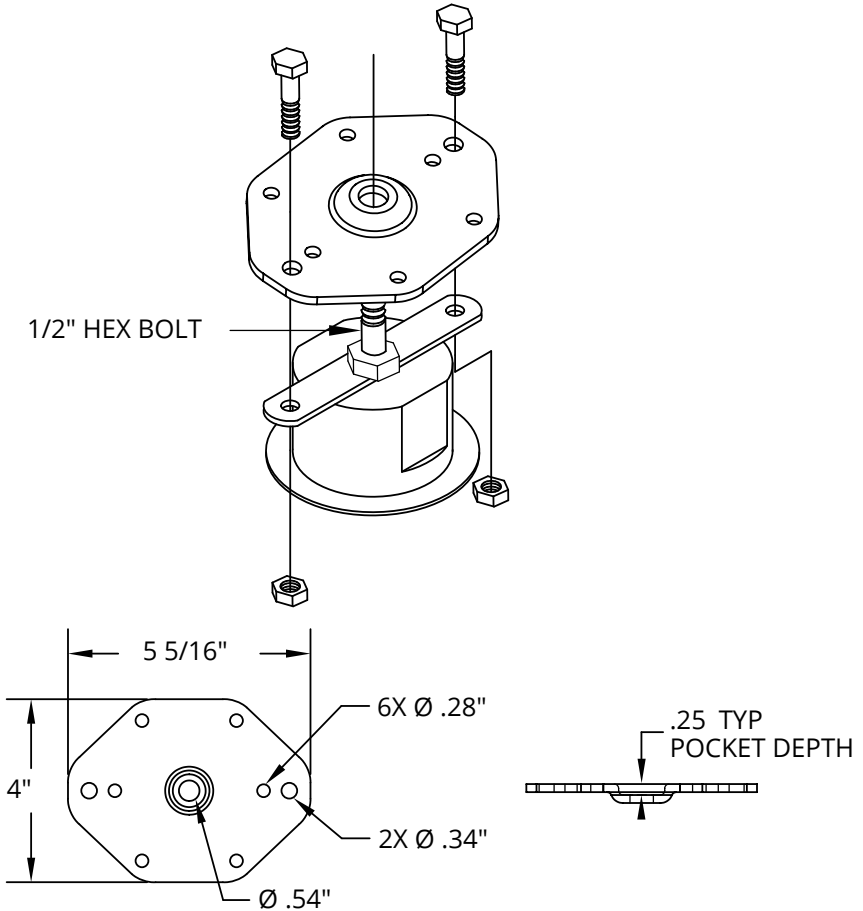
AVAILABLE IN STEEL OR STAINLESS

STEEL		STAINLESS	
3/8-16 STUD	1/2-13 STUD	3/8-16 STUD	1/2-13 STUD
EFB04	EFB04B	EFB04S	EFB04SB
ELECTRICAL SYMBOL NO			

789 | 1099.1 | 2816.1 | 2816.2 | 2816.2 | 2841 | 2842

SYMBOL BOX MOUNTING BRACKET

HEX HEAD MOUNT



AVAILABLE IN STEEL OR STAINLESS

STEEL

EFH044S

STAINLESS

EFH044C

ELECTRICAL SYMBOL NO

789

1099.1

2816.1

2816.2

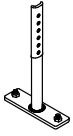
2816.2

2841

2842

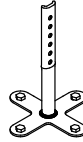
LIGHT AND FOUNDATION SUPPORTS

LIGHT AND FOUNDATION SUPPORTS



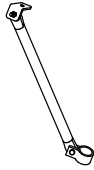
LIGHT STOOL LEG WELD STUD TYPE

EF10B**S - EF60B**S STEEL
P. 7-4



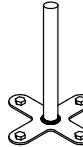
LIGHT STOOL LEG WELD STUD TYPE

EF70B**S STEEL
P. 7-10



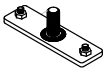
LEG SUPPORT BOLT ON BRACE

EFBB24SA - EFBB36SA STEEL
P. 7-5



LIGHT STOOL LEG WELD TYPE

EF70W**S STEEL
EF70W**A ALUMINUM
P. 7-11



LIGHT FEET ADJUSTABLE TYPE

EF10M - EF60M STEEL
P. 7-6



BATTLE LANTERN BRACKET

BL675 STEEL
P. 7-12



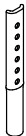
HANGER LEG HEAVY DUTY

EF5112B - EF5148B 1" PIPE THREAD STEEL
EF5212B - EF5248B 5/8-11 UNC STEEL
P. 7-7



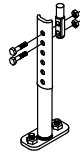
FOUNDATION PANEL MOUNT

EFPM03 - EFPM09 3/8" HOLE STEEL
EFPM031 - EFPM091 1/2" HOLE STEEL
P. 7-13



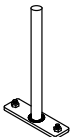
HANGER LEG LIGHT DUTY

SPB10S - SPB36S STEEL
P. 7-8



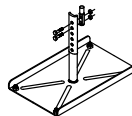
LIGHT LEG WELD STUD TYPE & WELD ON TYPE

EF1B09S - EF1B48S STEEL
EF2B09S - EF2B48S STEEL
P. 7-14



LIGHT STOOL LEG WELD TYPE

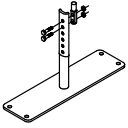
EF10W**S - EF60W**S STEEL
EF10W**A - EF60W**A ALUMINUM
P. 7-9



LIGHT LEG DRIPPROOF FLOURESCENT

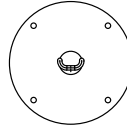
EF3B09S - EF3B48S STEEL 90 DEGREE
EF3B09S4 - EF3B48S4 STEEL 45 DEGREE
P. 7-15

LIGHT AND FOUNDATION SUPPORTS



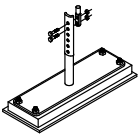
LIGHT LEG WELD STUD TYPE

EFP5B07S - EFP5B30S STEEL
P. 7-16



LIGHT LEG

EF52B09S - EF52B24S STEEL
P. 7-21



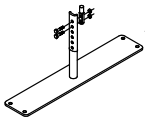
LIGHT LEG CARGO/GARAGE LIGHT

EFP6B07S - EFP6B48S 90 DEGREE STEEL
EFP6B07S4 - EFP6B48S4 45 DEGREE STEEL
P. 7-17



TRIANGLE LIGHT FOOT

EF10B7 - EF50B7 STEEL
P. 7-22



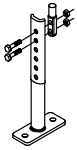
LIGHT LEG

EFG5B09S - EFG5B48S 90 DEGREE STEEL
EFG5B09S4 - EFG5B48S4 45 DEGREE STEEL
P. 7-18



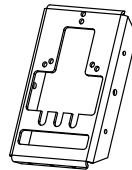
LIGHT LEG

RTS7-04 - RTS7-39 STEEL
P. 7-23



LIGHT LEG

EFL1B0225S - EFL1B1200S 90 DEGREE STEEL
EFL1B0225S4 - EFL1B1200S4 45 DEGREE STEEL
P. 7-19



GAGE BOARDS

GB-01S STEEL
GB-08S STEEL
P. 7-24



LIGHT LEG

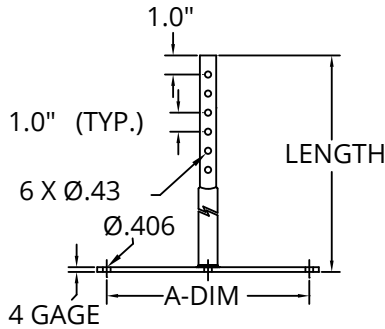
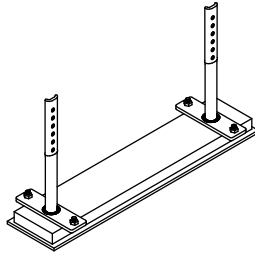
EF51B09S - EF51B24S STEEL
P. 7-20

LIGHT SUPPORTS

NOTES

LIGHT STOOL LEG

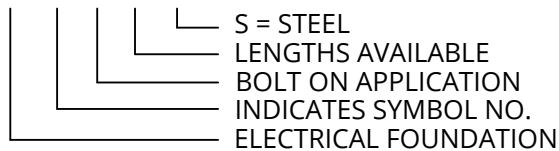
WELD STUD (BOLT ON) TYPE



CATALOG NUMBERING SYSTEM
(FOR EACH LEG)

SAMPLE CATALOG NUMBER:

EF 10 B ** S

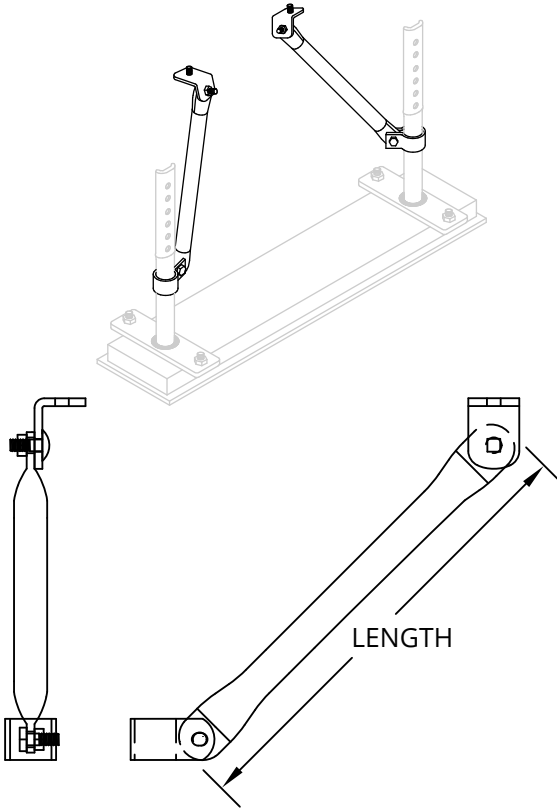


AVAILABLE IN 6" INCREMENTS FROM 6" TO 48"

PART NUMBER	SYMBOL NUMBER	A-DIM
EF10B**S	70.3, 79.1, 80.1, 338.1, 347	4 3/4"
EF20B**S	73.3, 77.4, 145.2, 149.2, 344	7-1/4"
EF30B**S	333.1, 341.1, 342	9-1/4"
EF40B**S	348	11"
EF50B**S	74, 75	13"
EF60B**S	349, 350	15-1/2"

LEG SUPPORT

BOLT ON BRACE



CATALOG NUMBERING SYSTEM
(FOR EACH BRACE)

SAMPLE CATALOG NUMBER:
EF BB ** S A

└─ L COMPLETE W/ANGLE AND CLIP
└─ S = STEEL
└─ LENGTHS AVAILABLE
└─ BOLT ON BRACE

ADDITIONAL LENGTHS AVAILABLE

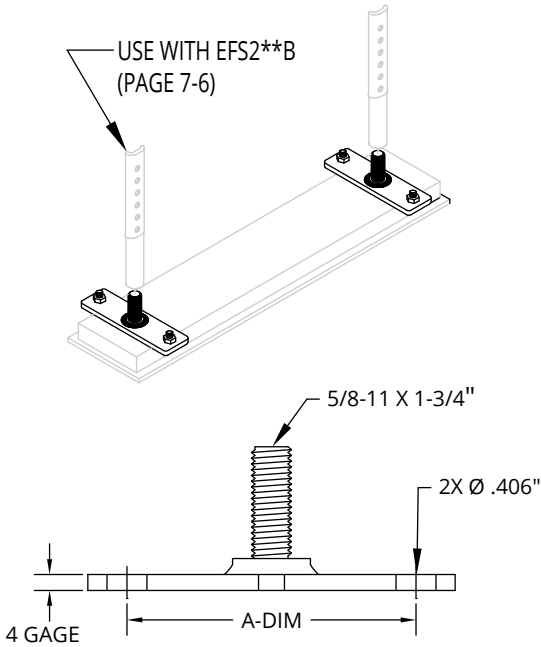
AVAILABLE IN 24", 30", AND 36"

STEEL

EFBB24SA - EFBB36SA

LIGHT FEET

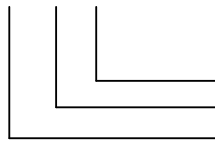
ADJUSTABLE TYPE



CATALOG NUMBERING SYSTEM
(FOR EACH LEG)

SAMPLE CATALOG NUMBER:

EF 10 M

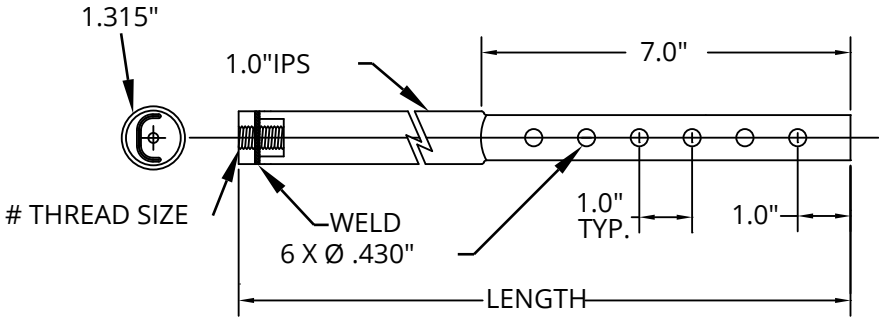
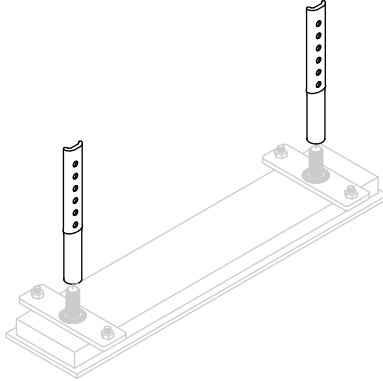


BOLT ON APPLICATION
INDICATES SYMBOL NO.
ELECTRICAL FOUNDATION

STEEL		
PART NUMBER	SYMBOL NUMBER	A-DIM
EF10M	70.3, 79.1, 80.1, 338.1, 347	4 3/4"
EF20M	73.3, 77.4, 145.2, 149.2, 344	7-1/4"
EF30M	333.1, 341.1, 342	9-1/4"
EF40M	348	11"
EF50M	74, 75	13"
EF60M	349, 350	15-1/2"

HANGER LEG

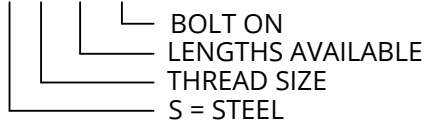
HEAVY DUTY WELD STUD (BOLT ON) TYPE



CATALOG NUMBERING SYSTEM(FOR EACH LEG)

SAMPLE CATALOG NUMBER:

EF S # ** B



ADDITIONAL LENGTHS AND MATERIALS AVAILABLE

AVAILABLE IN 6" INCREMENTS FROM 12" TO 48"

STEEL

PART NUMBER

THREAD SIZE

EFS112B - EFS148B

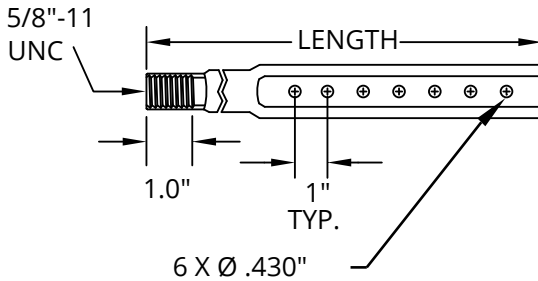
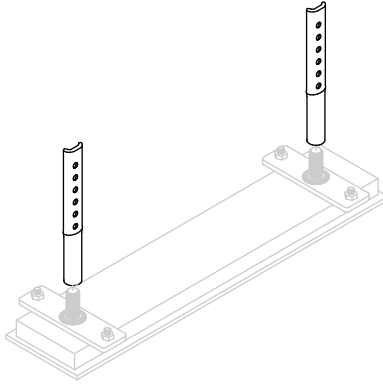
I.P.S 1.0" PIPE THREAD

EFS212B - EFS248B

5/8" - 11 U.N.C.

HANGER LEG

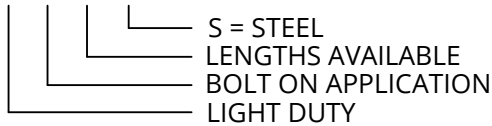
LIGHT DUTY WELD STUD (BOLT ON) TYPE



CATALOG NUMBERING SYSTEM(FOR EACH LEG)

SAMPLE CATALOG NUMBER:

SP B ** S



ADDITIONAL LENGTHS AVAILABLE

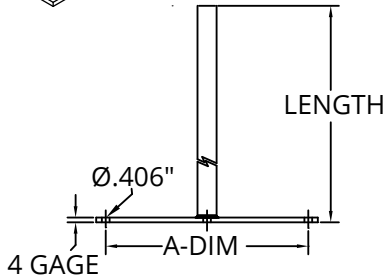
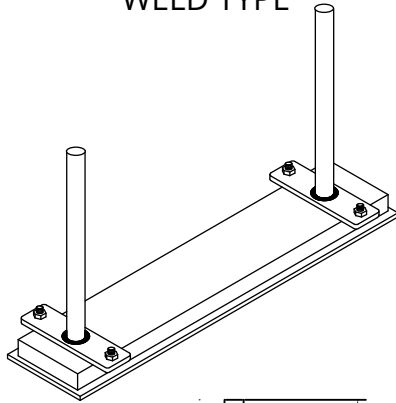
AVAILABLE FROM 10" TO 48"

STEEL

SPB10S - SPB48S

LIGHT STOOL LEG

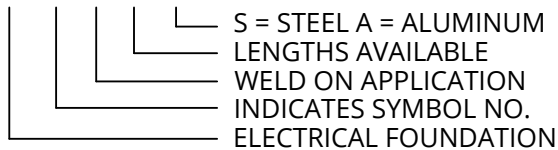
WELD TYPE



CATALOG NUMBERING SYSTEM
(FOR EACH LEG)

SAMPLE CATALOG NUMBER:

EF 10 W ** *



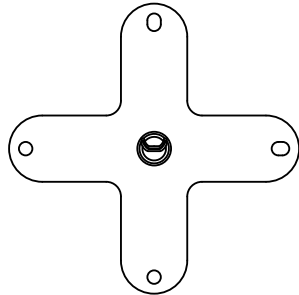
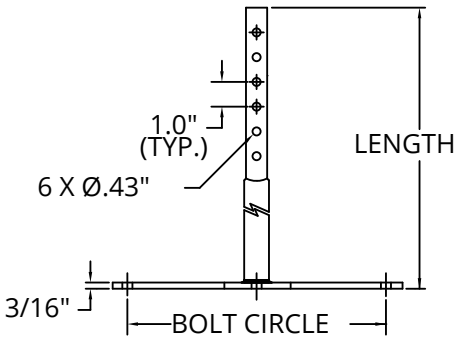
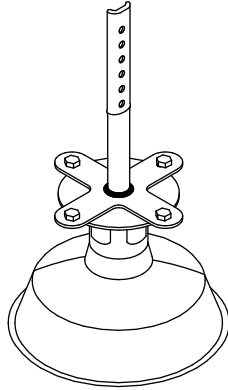
ADDITIONAL LENGTHS AVAILABLE

AVAILABLE IN 6" INCREMENTS FROM 6" TO 48"

PART NUMBER	SYMBOL NUMBER	A-DIM
EF10W***	70.3, 79.1, 80.1, 338.1, 347	4 3/4"
EF20W***	73.3, 77.4, 145.2, 149.2, 344	7-1/4"
EF30W***	333.1, 341.1, 342	9-1/4"
EF40W***	348	11"
EF50W***	74, 75	13"
EF60W***	349, 350	15-1/2"

LIGHT STOOL LEG

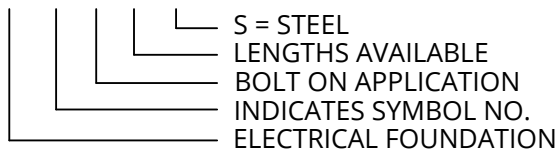
WELD STUD (BOLT ON) TYPE



CATALOG NUMBERING SYSTEM
(FOR EACH LEG)

SAMPLE CATALOG NUMBER:

EF 70 B ** S



COMPLIES WITH METHOD F-2-A, COMPLIES WITH DRAWING 5184170

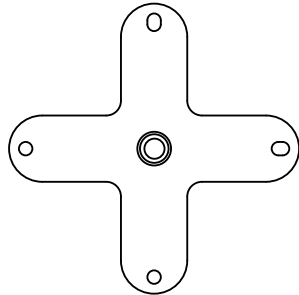
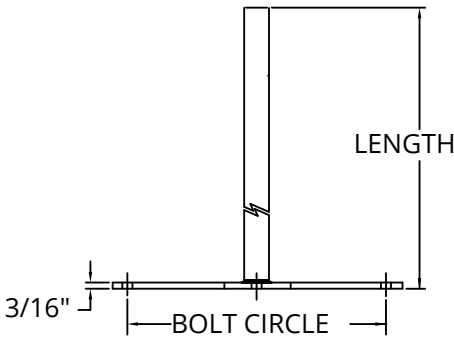
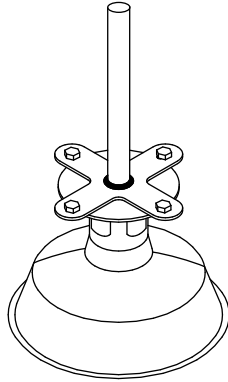
ADDITIONAL LENGTHS AND MATERIALS AVAILABLE

AVAILABLE IN 6" INCREMENTS FROM 6" TO 48"

PART NUMBER	SYMBOL NUMBER	BOLT CIRCLE
EF70B**S	48.2, 57, 64.1, 65, 68.2, 69, 89, 90.2, 94.1, 112, 113	7 5/8"-7 3/4"

LIGHT STOOL LEG

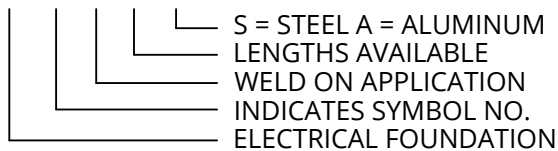
WELD TYPE



CATALOG NUMBERING SYSTEM
(FOR EACH LEG)

SAMPLE CATALOG NUMBER:

EF 70 W ** *



COMPLIES WITH METHOD F-2-A, COMPLIES WITH DRAWING 5184170

ADDITIONAL LENGTHS AVAILABLE

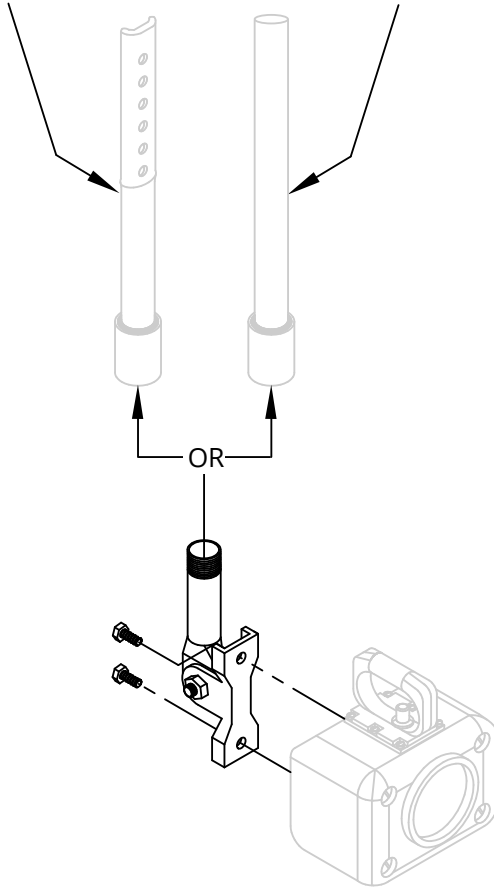
AVAILABLE IN 6" INCREMENTS FROM 6" TO 48"

PART NUMBER	SYMBOL NUMBER	BOLT CIRCLE
EF70W***	48.2, 57, 64.1, 65, 68.2, 69, 89, 90.2, 94.1, 112, 113	7 5/8"-7 3/4"

BATTLE LANTERN BRACKET

USE WITH EFS1**B
WELD STUD (BOLT ON) TYPE

USE WITH EFS1**BW
WELD TYPE



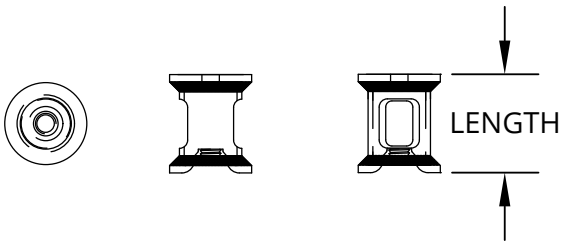
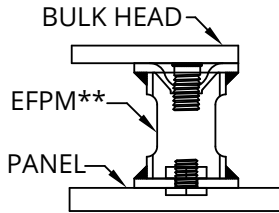
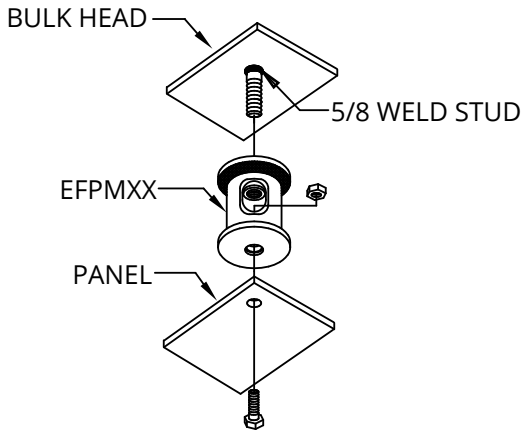
PART NUMBER

STEEL

BL675

7-12

FOUNDATION PANEL MOUNT



AVAILABLE IN 3" - 6", 9"

STEEL

3/8" HOLE

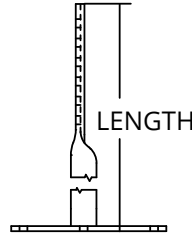
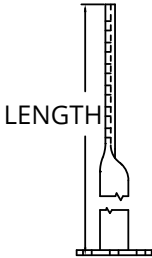
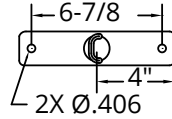
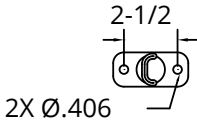
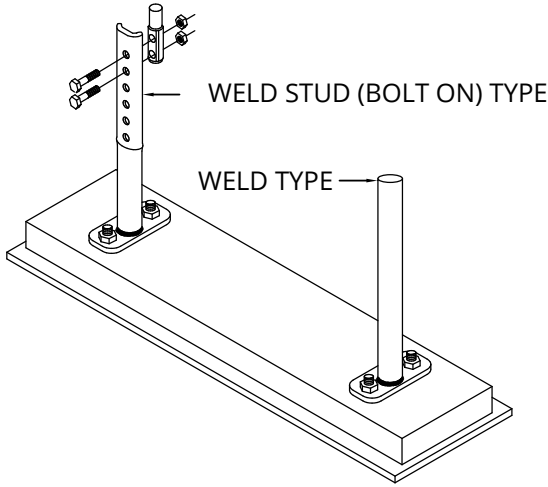
EFPM03 - EFPM09

1/2" HOLE

EFPM031 - EFPM091

LIGHT LEG

WELD STUD (BOLT ON) TYPE AND WELD TYPE



AVAILABLE FROM 9" TO 48"

STEEL

2 1/2" BOLT PATTERN

6 7/8" BOLT PATTERN

WELD STUD TYPE

WELD ON TYPE

WELD STUD TYPE

WELD ON TYPE

EFP1B09S - EFP1B48S

EFP1W09S - EFP1W48S

EFP2B09S - EFP2B48S

EFP2W09S - EFP2W48S

LIGHT FIXTURE NO.

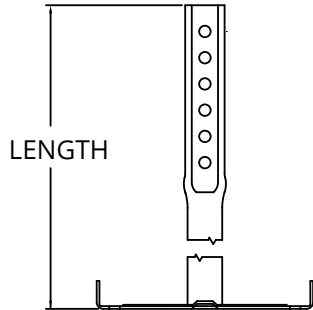
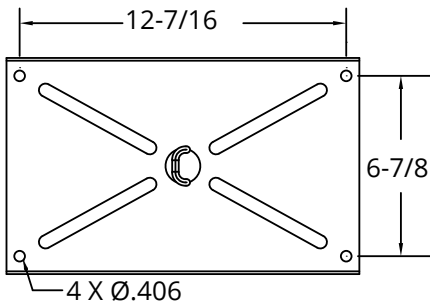
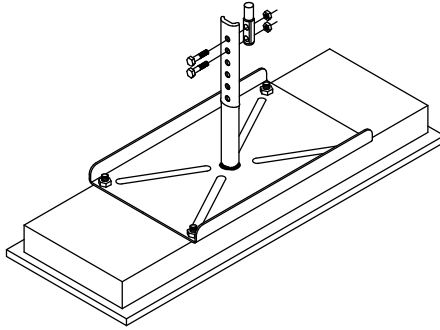
LIGHT FIXTURE NO.

FWN120, FWN135, FWN140, FWN160, FWN220
 FWN235, FWN240, FWN260, FWN320, FWN335
 FWN340, FWN360, FWN1110, FWN2110
 FWN3110, ZLXACHS10MT

FAS120, FPS120, FPS135, FPS140, FPS160
 FPA220, FPS235, FPS240, FPS260, FPS320
 FPS335, FPS340, FPS360

LIGHT LEG

DRIPPROOF FLOURESCENT CEILING FIXTURES
WELD STUD (BOLT ON) TYPE



AVAILABLE FROM 9" TO 48"

STEEL

90 DEGREE MOUNT

EFP3B09S - EFP3B48S

45 DEGREE MOUNT

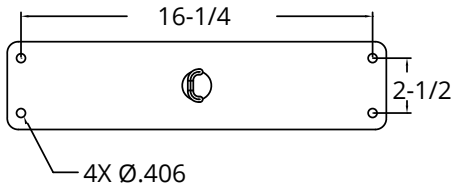
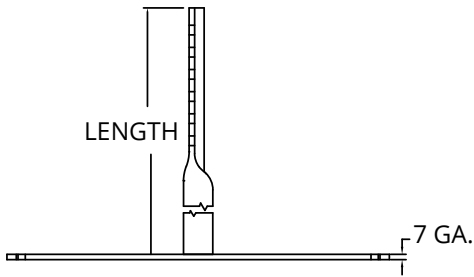
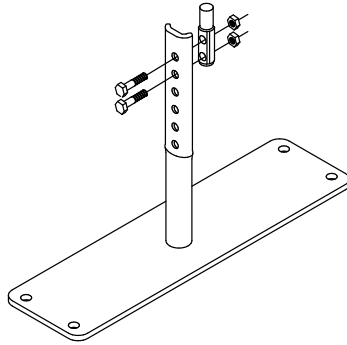
EFP3B09S4 - EFP3B48S4

LIGHT FIXTURE NO.

FAS120, FPS120, FPS135, FPS220, FPS235, FPS320, FPS335

LIGHT LEG

WELD STUD (BOLT ON) TYPE

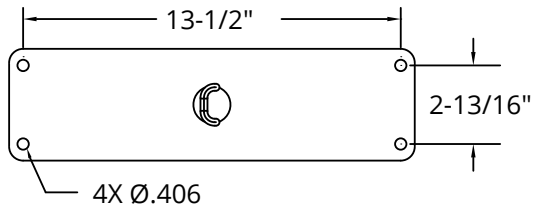
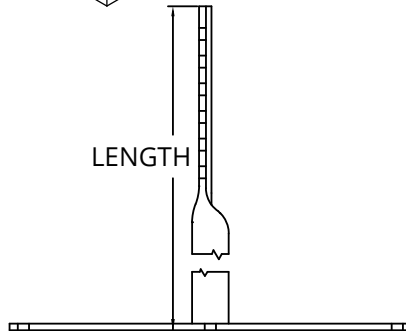
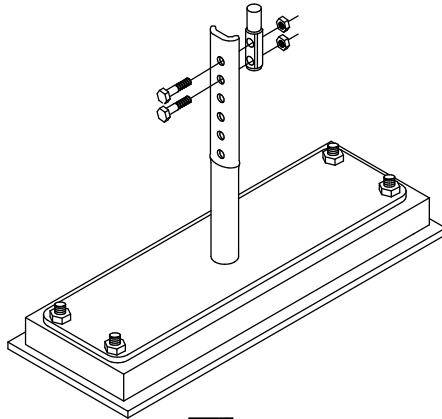


STEEL	
PART NUMBER	LENGTH
EFP5B07S	6-1/2"
EFP5B09S	8-1/2"
EFP5B12S	11-1/2"
EFP5B16S	15-1/2"
EFP5B20S	19-1/2"
EFP5B24S	23-1/2"
EFP5B30S	29-1/2"

LIGHT FIXTURE NO.
ZLXACHS10446, ZLXACHS10446CR

LIGHT LEG

CARGO/GARAGE LIGHT
WELD STUD (BOLT ON) TYPE



AVAILABLE FROM 9" TO 48"

STEEL

90 DEGREE MOUNT

EFP6B07S - EFP6B48S

45 DEGREE MOUNT

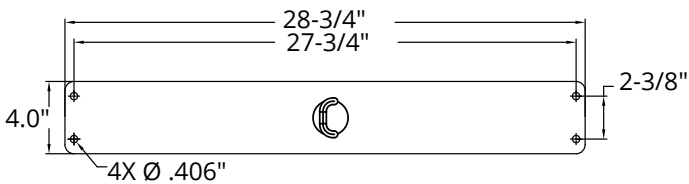
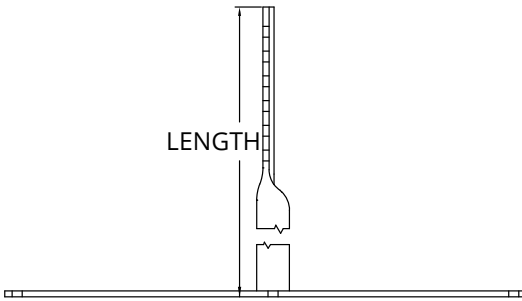
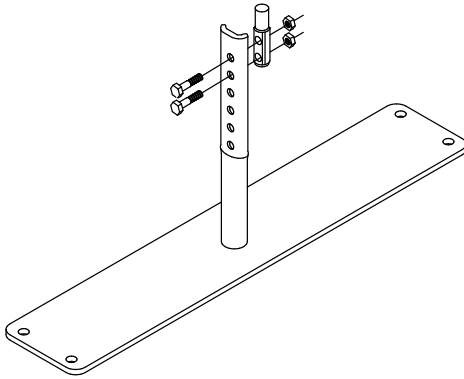
EFP6B07S4 - EFP6B48S4

LIGHT FIXTURE NO.

LXACRS10MT

LIGHT LEG

WELD STUD TYPE



AVAILABLE IN 9", 12", 18", 24", 30", 48"

STEEL

90 DEGREE MOUNT

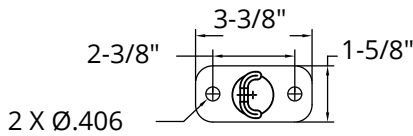
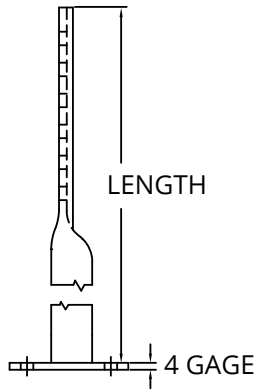
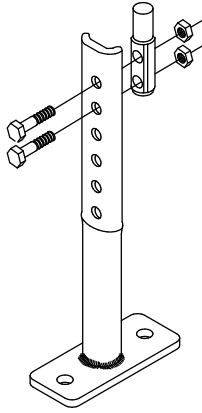
EFG5B09S - EFG5B48S

45 DEGREE MOUNT

EFG5B09S4 - EFG5B48S4

LIGHT LEG

WELD STUD TYPE



**ADDITIONAL LENGTHS AVAILABLE
ALSO AVAILABLE IN IMPERICAL UNITS**

AVAILABLE IN 225MM, 300MM, 450MM, 600MM, 750MM, 900MM, 1050MM, 1200MM

STEEL

90 DEGREE MOUNT

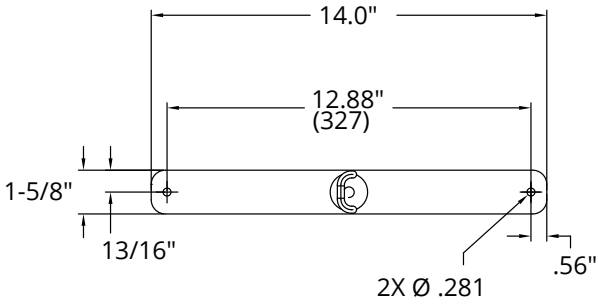
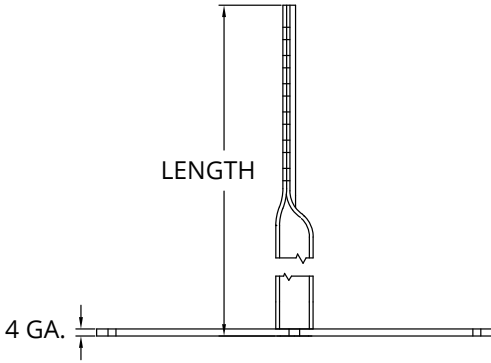
45 DEGREE MOUNT

EFL1B0225S - EFL1B1200S

EFL1B0225S4 - EFL1B1200S4

LIGHT LEG

WELD STUD TYPE



AVAILABLE IN 9" AND 6" INCREMENTS FROM 12" TO 24"

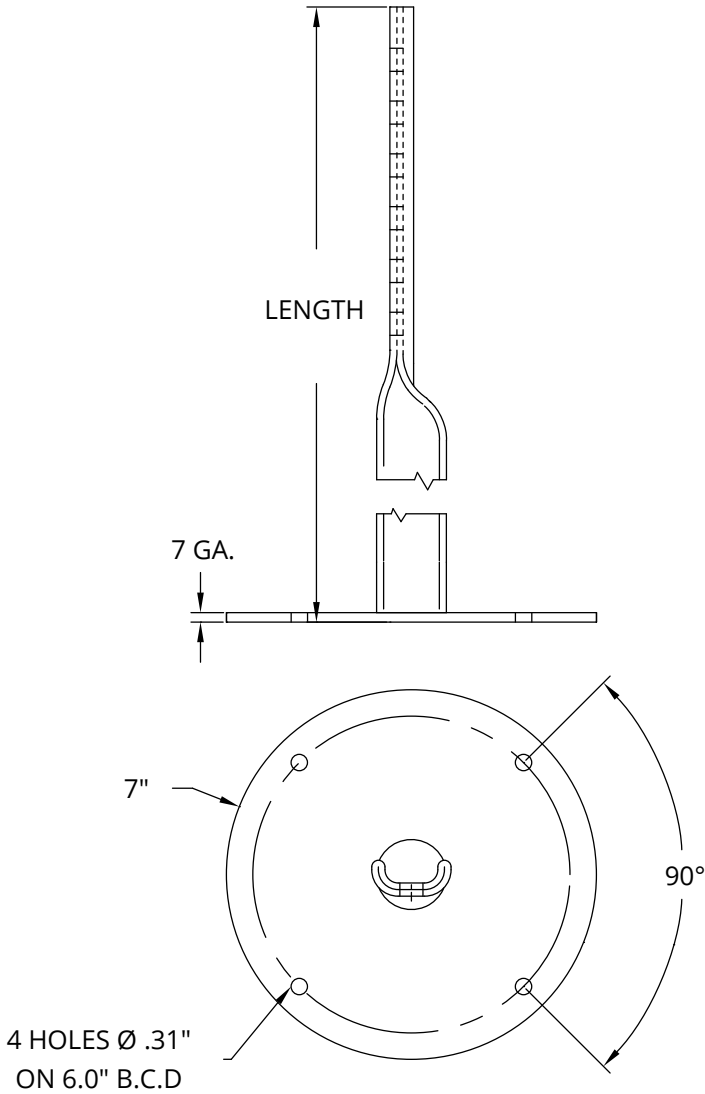
STEEL

90 DEGREE MOUNT

EF51B09S - EF51B24S

LIGHT LEG

WELD STUD TYPE



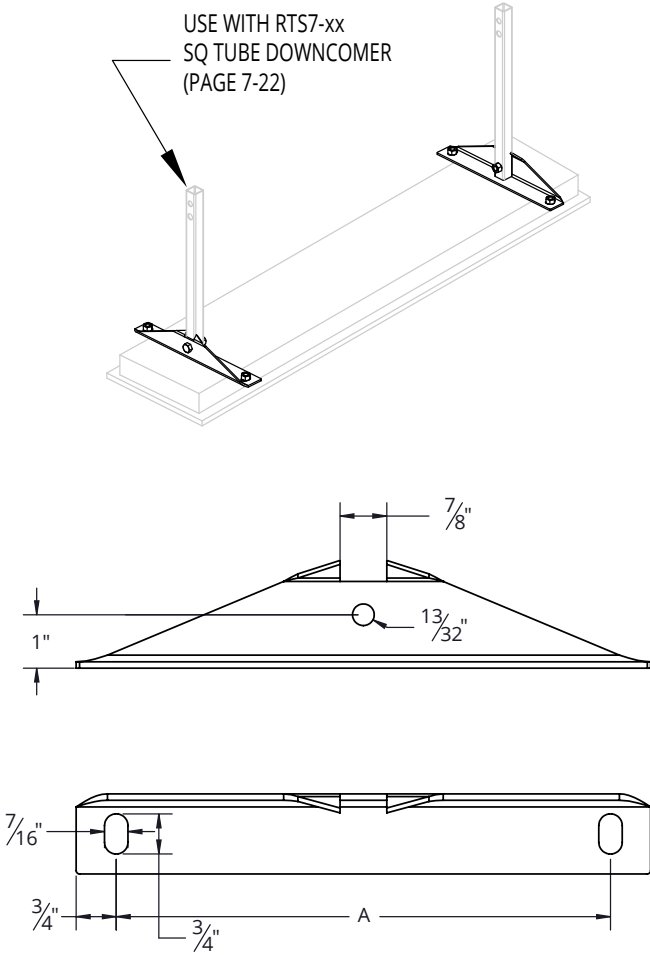
AVAILABLE IN 9" AND 6" INCREMENTS FROM 12" TO 24"

STEEL

90 DEGREE MOUNT

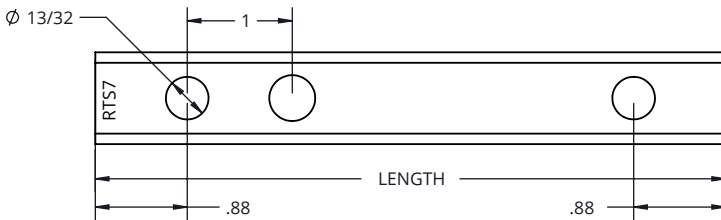
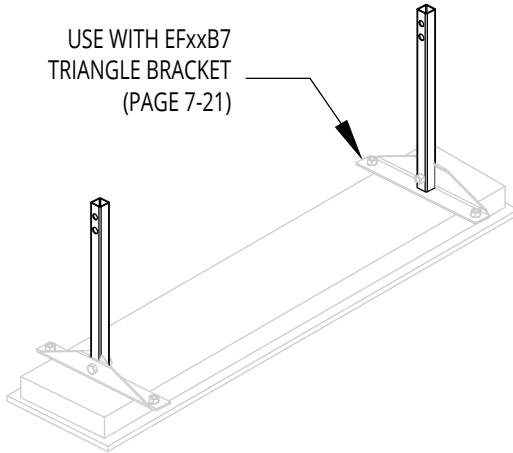
EF52B09S - EF52B24S

TRIANGLE LIGHT FOOT



STEEL		
PART NUMBER	SYMBOL NUMBER	A-DIM
EF10B7	70.3, 79.1, 80.1, 338.1, 347	4 3/4"
EF20B7	73.3, 77.4, 145.2, 149.2, 344	7-1/4"
EF30B7	333.1, 341.1, 342	9-1/4"
EF50B7	74, 75	13"

SQUARE TUBE LIGHT LEG



AVAILABLE IN 1" INCREMENTS FROM 4" TO 39"

STEEL

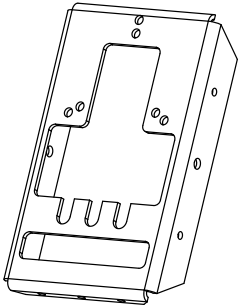
PART NUMBER

LENGTH

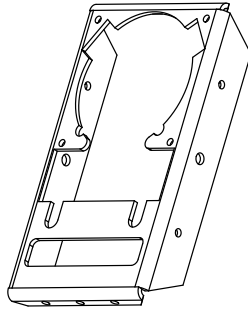
RTS7-04 - RTS7-39

4" TO 39"

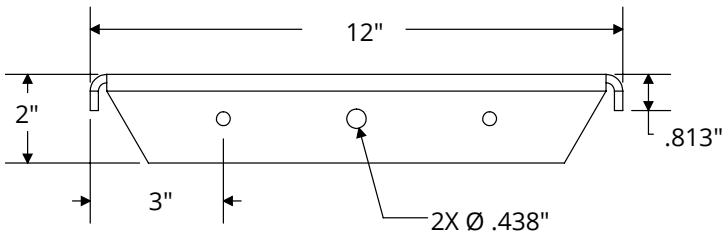
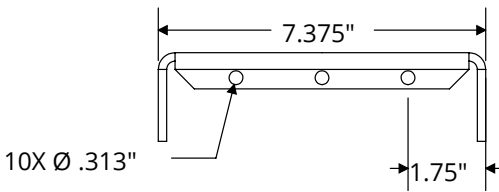
GAGE BOARD



GB-01S



GB-08S



AVAILABLE IN 2 CONFIGURATIONS

STEEL

GB-01S

GB-08S

EMI BONDING HARDWARE

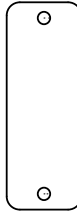
EMI BONDING HARDWARE



EMI CONDUIT ADAPTER

7RTA××B - 7RTNA××B BRASS
7RTA××A - 7RTNA××A ALUMINUM
7RTA××C - 7RTNA××C STAINLESS

P. 8-3



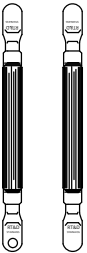
BOND STRAPS

MIL-DTL-24749 REV A
TYPE II AND
TYPE III

MIL-STD-1310 REV E
TYPE III

T203 - T212 STAINLESS
T303 - T312 COPPER

P. 8-7



BOND STRAPS

MIL-STD-1310 REV E
TYPE I AND TYPE II

T1A06A - T1A18A BOTH LUGS ALUMINUM
T1A06S - T1A18S 1 LUG ALUMINUM / 1 LUG STAINLESS
T1S06S - T1S18S BOTH LUGS STAINLESS

P. 8-4



BOND STRAPS
MIL-STD-1310 REV E
EMI SILENCER

SST-8316, SST-8315 STAINLESS
SSA-8316, SSA-8315 ALUMINUM

P. 8-5



BOND STRAPS
MIL-DTL-24749 REV A
TYPE 1

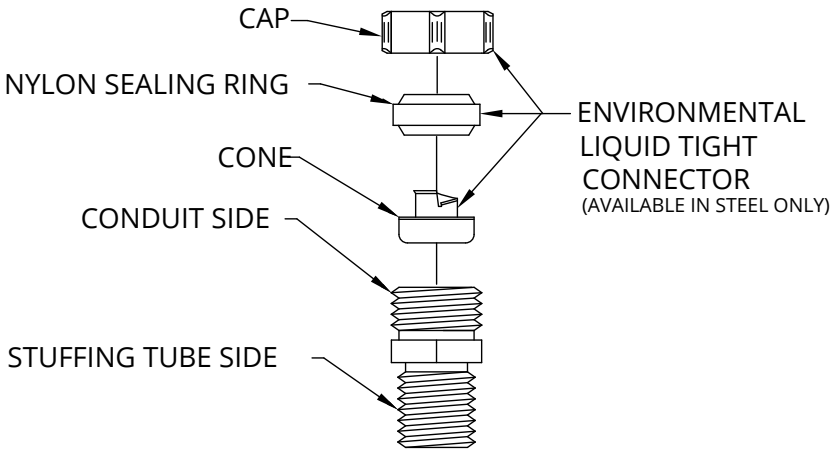
T1GXX STRAP STAINLESS
T1GCB BOSS BIMETALLIC
T1GCC BOSS STAINLESS
T1GXCC - T1GXBB ASSEMBLY

P. 8-6

EMI BONDING HARDWARE

NOTES

EMI CONDUIT ADAPTER



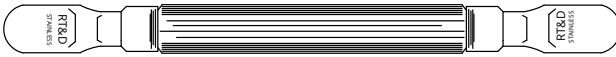
MIL-STD-1310E
ADDITIONAL SIZES AVAILABLE UPON REQUEST

BRASS	ALUMINUM	STAINLESS	TUBE SIZE	CONDUIT SIZE
7RTA038B	7RTA038A	7RTA038C	A	3/8"
7RTB038B	7RTB038A	7RTB038C	B	3/8"
7RTB050B	7RTB050A	7RTB050C	B	1/2"
7RTC050B	7RTC050A	7RTC050C	C	1/2"
7RTC075B	7RTC075A	7RTC075C	C	3/4"
7RTD075B	7RTD075A	7RTD075C	D	3/4"
7RTD100B	7RTD100A	7RTD100C	D	1"
7RTE075B	7RTE075A	7RTE075C	E	3/4"
7RTF100B	7RTF100A	7RTF100C	F	1"
7RTG100B	7RTG100A	7RTG100C	G	1"
7RTG125B	7RTG125A	7RTG125C	G	1-1/4"
7RTJ100B	7RTJ100A	7RTJ100C	J	1"
7RTJ125B	7RTJ125A	7RTJ125C	J	1-1/4"
7RTJ150B	7RTJ150A	7RTJ150C	J	1-1/2"
7RTK125B	7RTK125A	7RTK125C	K	1-1/4"
7RTL125B	7RTL125A	7RTL125C	L	1-1/4"
7RTM125B	7RTM125A	7RTM125C	M	1-1/4"
7RTM150B	7RTM150A	7RTM150C	M	1-1/2"
7RTM200B	7RTM200A	7RTM200C	M	2"
7RTN150B	7RTN150A	7RTN150C	N	1-1/2"
7RTN200B	7RTN200A	7RTN200C	N	2"
7RTP150B	7RTP150A	7RTP150C	P	1-1/2"
7RTP200B	7RTP200A	7RTP200C	P	2"
7RTS200B	7RTS200A	7RTS200C	S	2"
7RTW250B	7RTW250A	7RTW250C	W	2-1/2"
7RTX300B	7RTX300A	7RTX300C	X	3"
7RTAA300B	7RTAA300A	7RTAA300C	AA	3"

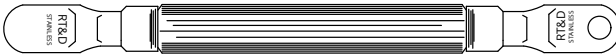
BOND STRAPS

MIL-STD-1310 REV E

TYPE I AND TYPE II



TYPE I
NO HOLE



TYPE II
ONE HOLE



CATALOG NUMBERING SYSTEM MIL-STD-1310 REV E
TYPE 1 AND TYPE 2 BONDING STRAP

T1 A 10 S

(HOLE IN THIS END)

"S" INDICATES STAINLESS

"A" INDICATES ALUMINUM

LENGTH OF STRAP

"S" INDICATES STAINLESS

"A" INDICATES ALUMINUM

T1 INDICATES TYPE I - NO HOLE

T2 INDICATES TYPE II - ONE HOLE

**BOND STRAPS ARE MADE WITH TRXF84 CABLE
ADDITIONAL LENGTHS AVAILABLE**

AVAILABLE FROM 6" TO 18"

BOTH LUGS ALUMINUM

1 ALUMINUM / 1 STAINLESS

BOTH LUGS STAINLESS

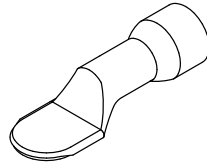
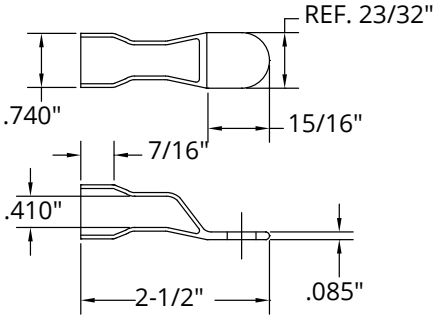
T1A06A - T2A18A

T1A06S - T2A18S

T1S06S - T2S12S

BOND STRAPS

MIL-STD-1310 REV E
EMI SILENCER

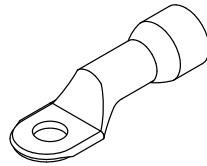
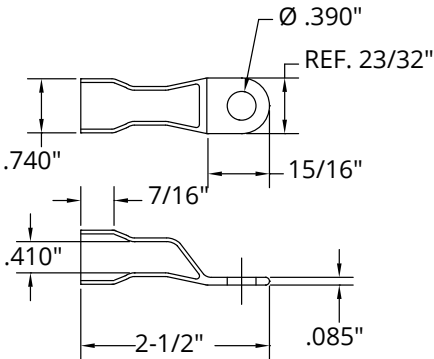


STAINLESS - NO HOLE

SST-8316

ALUMINUM - NO HOLE

SSA-8316



STAINLESS - WITH HOLE

SST-8315

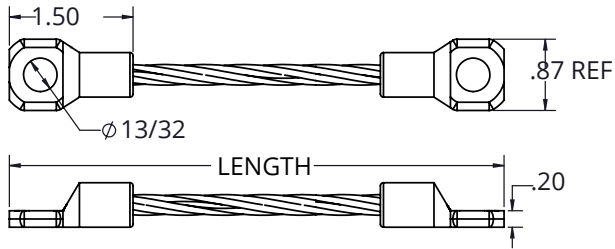
ALUMINUM - WITH HOLE

SSA-8315

BOND STRAPS

MIL-DTL-24749 REV A or C

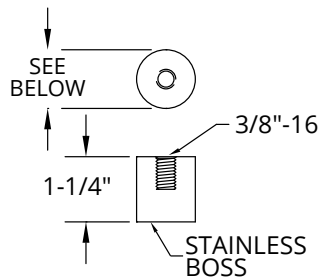
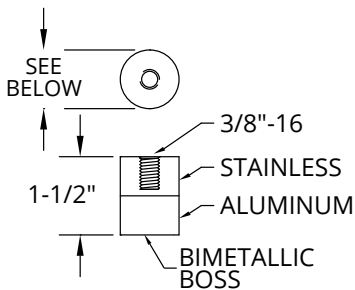
TYPE I



AVAILABLE IN 1" INCREMENTS IN ANY LENGTH IN REV C ONLY

STAINLESS

T1GXX (XX = LENGTH)



BIMETALLIC BOSS

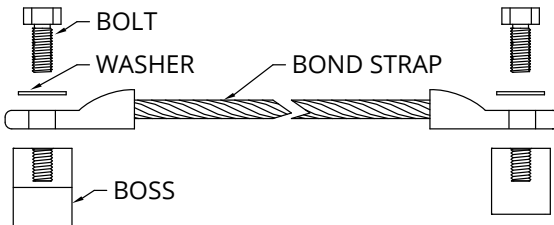
STAINLESS BOSS

T1GCB (REV A)-Ø3/4"

T1GCB5 (REV C)-Ø5/8"

T1GCC (REV A)-Ø3/4"

T1GCC5 (REV C)-Ø5/8"



PART NUMBER

COMPONENTS

T1GXXCC STRAP, 2 STAINLESS BOSSES (Includes Hardware)

T1GXXCB STRAP, 1 STAINLESS BOSS, 1 BIMETALLIC BOSS (Includes Hardware)

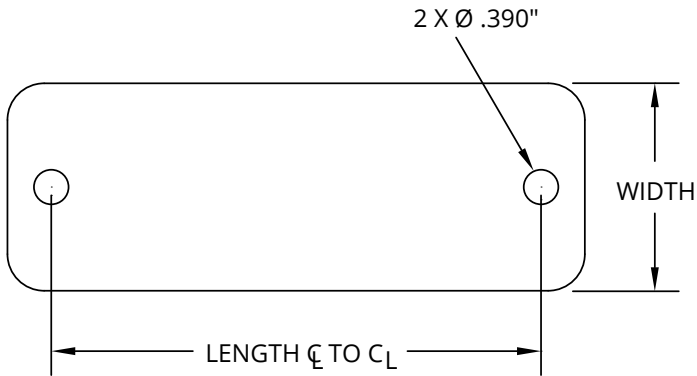
T1GXXBB STRAP, 2 BIMETALLIC BOSSES (Includes Hardware)

T1GHDW STAINLESS BOLT, STAINLESS WASHER

BOND STRAPS

MIL-DTL-24749 REV A
TYPE II AND TYPE III

MIL-STD-1310 REV E
TYPE III

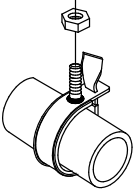


MIL-DTL-24749 REV A TYPE 2			MIL-DTL-24749 REV A TYPE 3		
STAINLESS			COPPER		
PART NUMBER	LENGTH	WIDTH	PART NUMBER	LENGTH	WIDTH
T203	3"	1"	T303	3"	1"
T206	6"	1-1/2"	T306	6"	1-1/2"
T209	9"	2"	T309	9"	2"
T212	12"	2-1/2"	T312	12"	2-1/2"



PIPE AND VENTILATION SUPPORT

PIPE AND VENTILATION



KEY LOCK
PIPE HANGER
STUD MOUNT

PHK025S - PHK300S STEEL

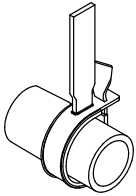
P. 9-3



LEG SUPPORT

EFBB24SA - EFBB36SA STEEL

P. 9-7



KEY LOCK
PIPE HANGER
WELD MOUNT

PWK025S - PWK300S STEEL

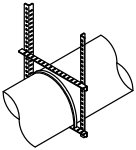
P. 9-4



HANGER LEG SUPPORT
LIGHT DUTY
WELD STUD TYPE

SPB10S - SPB36S STEEL

P. 9-8



HVAC DUCTING
HANGER

QHVCAC36 STEEL

P. 9-5



HANGER LEG SUPPORT
HEAVY DUTY
WELD STUD TYPE

EFS112B - EFS148B STEEL
EFS212B - EFS248B STEEL

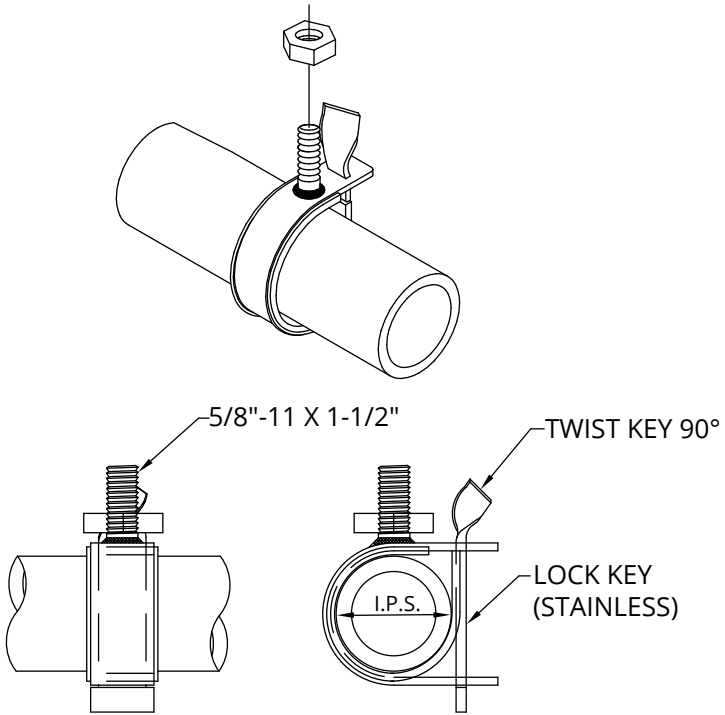
P. 9-6

PIPE AND VENTILATION SUPPORT NOTES

KEY LOCK PIPE HANGER

STUD MOUNT

used with EFS2XXB (Page 8-6)
or SPBXXS (Page 8-8)



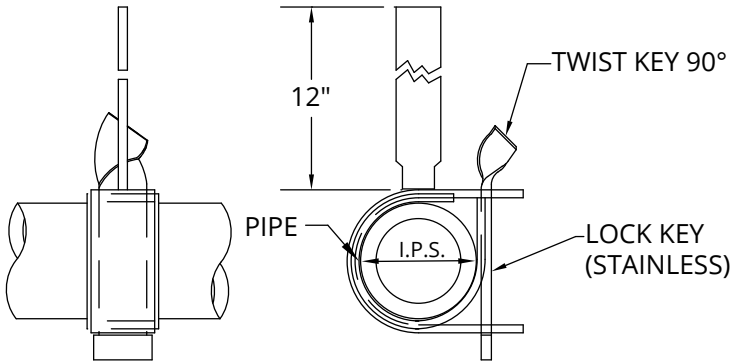
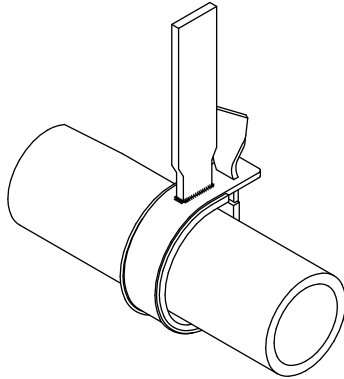
LINER NOT INCLUDED

STEEL

PART NUMBER	I.P.S. SIZE
PHK025S	1/4"
PHK038S	3/8"
PHK050S	1/2"
PHK075S	3/4"
PHK100S	1"
PHK125S	1 1/4"
PHK150S	1 1/2"
PHK200S	2"
PHK250S	2 1/2"

KEY LOCK PIPE HANGER

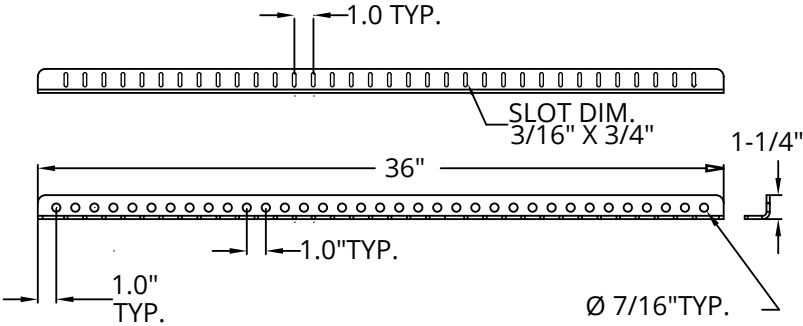
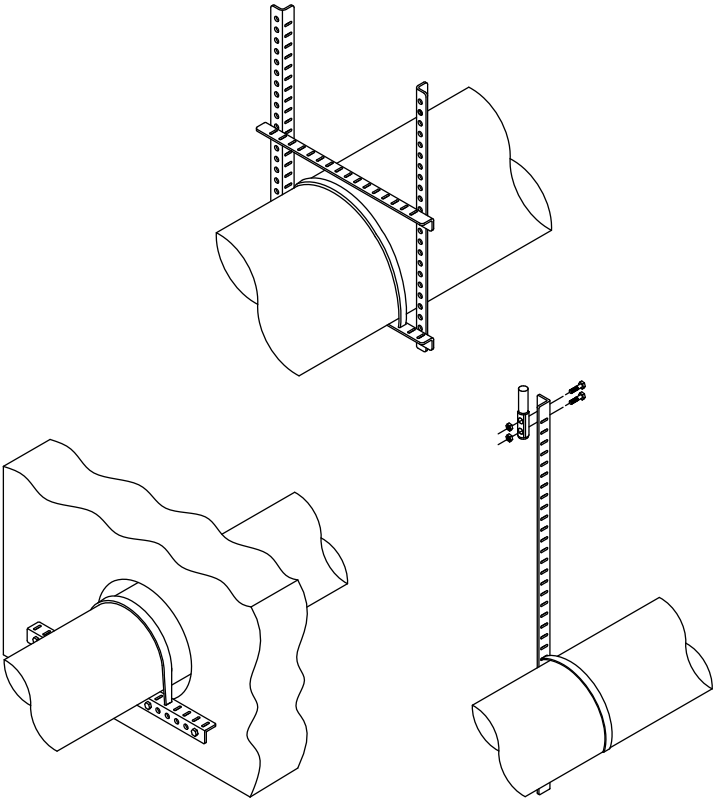
WELD MOUNT



LINER NOT INCLUDED

STEEL	
PART NUMBER	I.P.S. SIZE
PWK025S	1/4"
PWK038S	3/8"
PWK050S	1/2"
PWK075S	3/4"
PWK100S	1"
PWK125S	1 1/4"
PWK150S	1 1/2"
PWK200S	2"
PWK250S	2 1/2"
PWK300S	3"

HVAC DUCTING HANGER



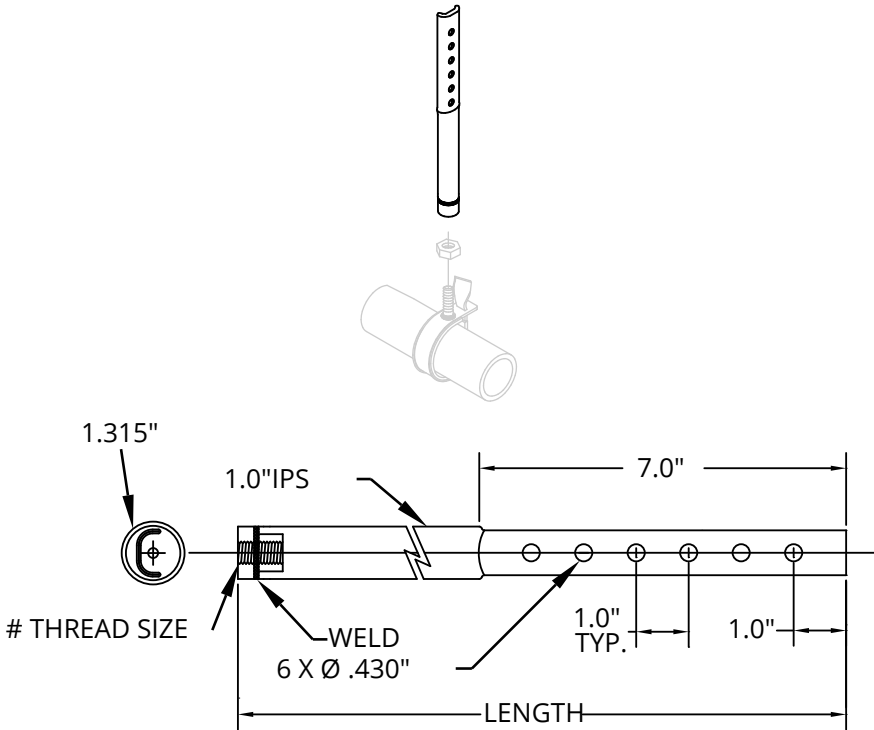
STEEL

PART NUMBER

QHVAC36

HANGER LEG SUPPORT

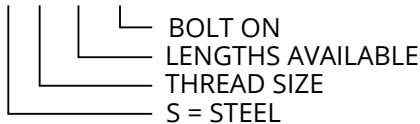
HEAVY DUTY WELD STUD (BOLT ON) TYPE



CATALOG NUMBERING SYSTEM(FOR EACH LEG)

SAMPLE CATALOG NUMBER:

EF S # ** B



ADDITIONAL LENGTHS AND MATERIALS AVAILABLE

AVAILABLE IN 6" INCREMENTS FROM 12" TO 48"

STEEL

PART NUMBER

THREAD SIZE

EFS112B - EFS148B

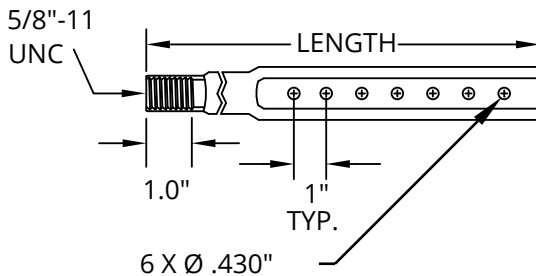
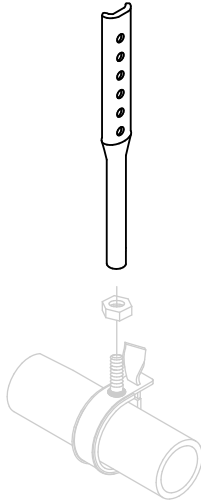
I.P.S 1.0" PIPE THREAD

EFS212B - EFS248B

5/8" - 11 U.N.C.

HANGER LEG SUPPORT

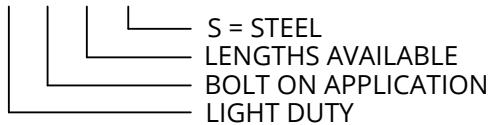
LIGHT DUTY WELD STUD (BOLT ON) TYPE



CATALOG NUMBERING SYSTEM(FOR EACH LEG)

SAMPLE CATALOG NUMBER:

SP B ** S



ADDITIONAL LENGTHS AND MATERIALS AVAILABLE

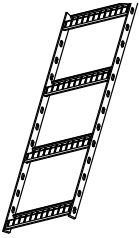
AVAILABLE FROM 10" TO 48"

STEEL

SPB10S - SPB48S

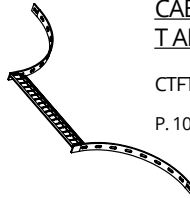
CABLE TRAYS AND RACKS

CABLE TRAYS AND RACKS



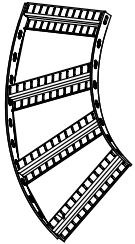
CABLE RACK
HEAVY DUTY
STRAIGHT

CTF×××0900 - CTF×××3000 FLUSH
RAILS STEEL
CTF×××0900M - CTF×××3000M EXT.
RAILS STEEL
P. 10-4



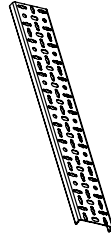
CABLE RACK
T AND CROSS

CTFT300300 - CTFT600450 STEEL
P. 10-8



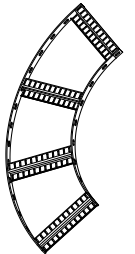
CABLE RACK
HEAVY DUTY
FLAT BEND
30°, 45°, 60°

CTF×××30 - CTF×××60 STEEL
P. 10-5



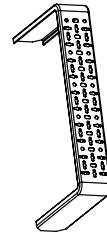
CUT-TO-LENGTH
CABLE TRAY
HEAVY DUTY

CTR××0600 - CTR××3000 STEEL
P. 10-9



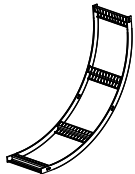
CABLE RACK
HEAVY DUTY
FLAT BEND 90°

CTFR×××300 - CTFR×××450 STEEL
P. 10-6



CABLE TRAY
HEAVY DUTY
BENT

CTU011203 - CTU066017
STEEL
P. 10-10



CABLE RACK
HEAVY DUTY
RISER BEND

CTFA×××300 - CTFA×××950 STEEL
P. 10-7

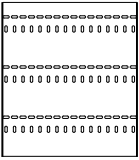


CABLE TRAY
LIGHT DUTY TROUGH

CTR20-050 - CTR20-200 STAINLESS
CTR20-050S - CTR20-200S STEEL
CTR20-050A - CTR20-200A
ALUMINUM
P. 10-11

CONTINUED ON NEXT PAGE

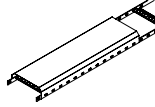
CABLE TRAYS AND RACKS



CABLE TRAY
LIGHT DUTY TROUGH
(WIDE)

CTR20-400 - CTR20-500 STAINLESS
CTR20-400S - CTR20-500S STEEL
CTR20-400A - CTR20-500A
ALUMINUM

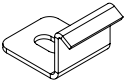
P. 10-12



RACK KICK COVER

CTFCOV3001000 -
CTFCOV6001000 STEEL
CTFCOV3001000A -
CTFCOV6001000A ALUM.

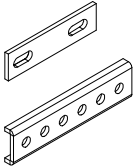
P. 10-16



CTF SERIES RACK
MOUNTING CLIP

CTFCLP STEEL

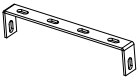
P. 10-13



CTF SERIES RACK
SPLICES

CTFSP160 STEEL
CTFSPxxxHD STEEL

P. 10-14



STANDOFF
BRACKET

FBMBKT300 - FBMBKT450 STEEL

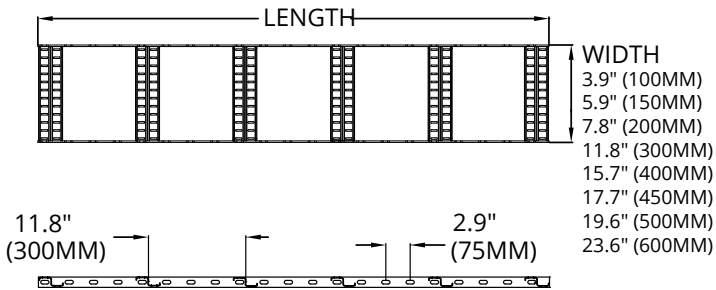
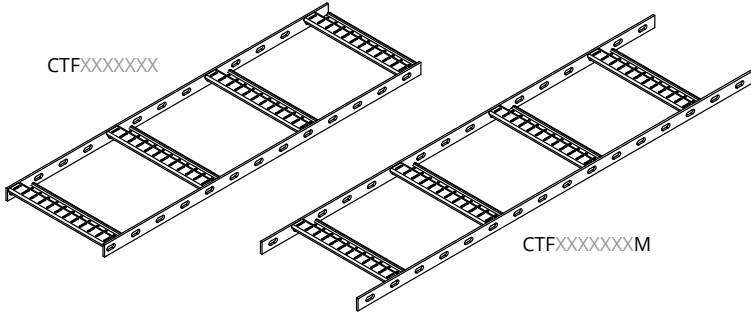
P. 10-15

CABLE TRAYS AND RACKS

NOTES

CABLE RACK

STRAIGHT



AVAILABLE WITH FLUSH OR EXTENDED SIDE RAILS

STEEL

XXX = AVAILABLE WIDTHS OF 100 (3.9"), 150 (5.9"), 200 (7.8"), 300 (11.8"), 400 (15.7"), 450 (17.7"), 500 (19.6"), 600 (23.6")

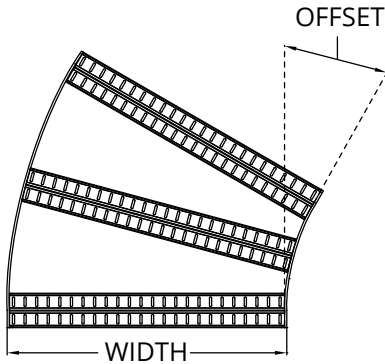
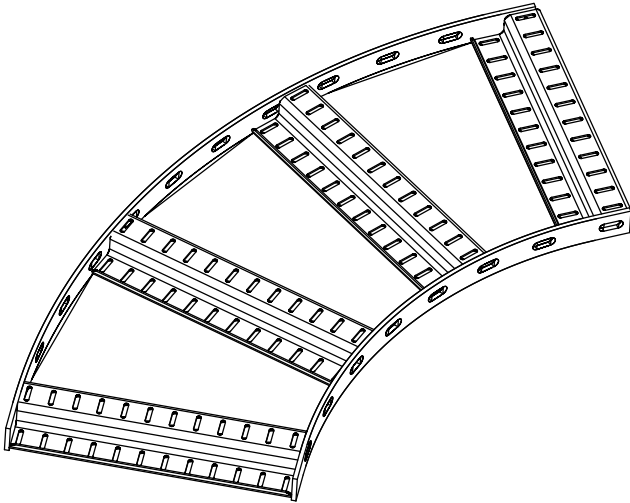
FLUSH SIDE RAILS

EXTENDED SIDE RAILS

PART NUMBER	LENGTH	PART NUMBER	LENGTH
CTFXXX0900	26.5"	CTFXXX0900M	5.4" (900MM)
CTFXXX1200	38.3"	CTFXXX1200M	47.2" (1200MM)
CTFXXX1500	50.2"	CTFXXX1500M	59.1" (1500MM)
CTFXXX1800	62.0"	CTFXXX1800M	70.9" (1800MM)
CTFXXX2100	73.8"	CTFXXX2100M	82.7" (2100MM)
CTFXXX2400	85.6"	CTFXXX2400M	94.5" (2400MM)
CTFXXX2700	97.4"	CTFXXX2700M	106.3" (2700MM)
CTFXXX3000	109.2"	CTFXXX3000M	118.1" (3000MM)

CABLE RACK

FLAT BEND 30°, 45°, 60°



STEEL

XXX = AVAILABLE WIDTHS OF 300 (11.8"), 450 (17.7"), 600 (23.6")

PART NUMBER

OFFSET

CTFXXX30

30°

CTFXXX45

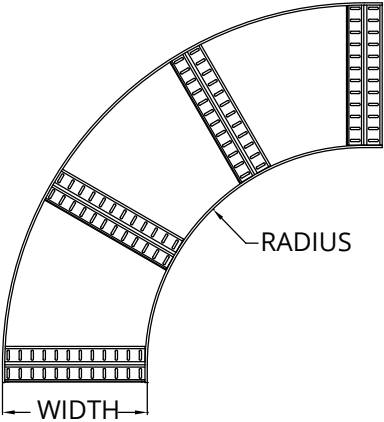
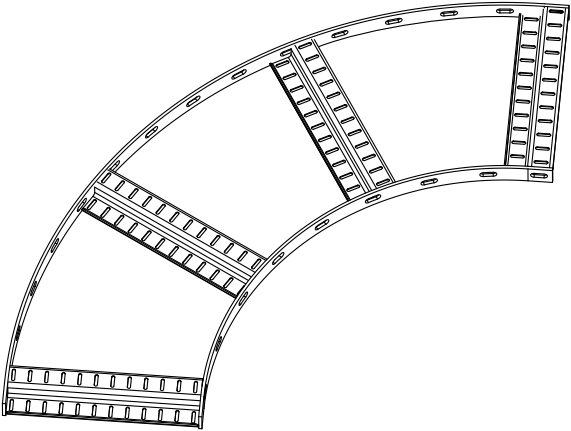
45°

CTFXXX60

60°

CABLE RACK

FLAT BEND 90°



STEEL

**XXX = AVAILABLE WIDTHS OF
200 (7.9"), 300 (11.8"), 350 (13.8"), 450 (17.7"), 600 (23.6")**

PART NUMBER

RADIUS

CTFRXXX300

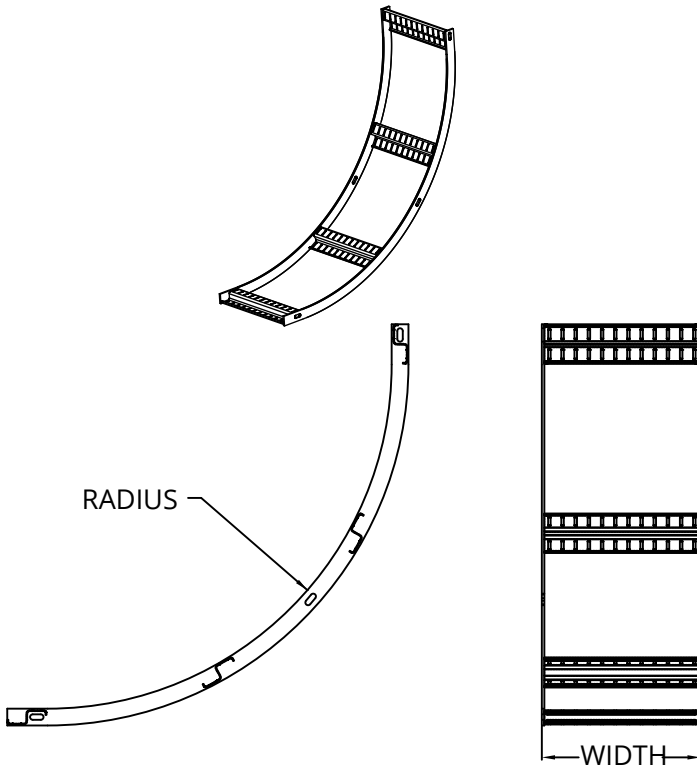
300MM (11.8")

CTFRXXX450

450MM (17.7")

CABLE RACK

RISER BEND



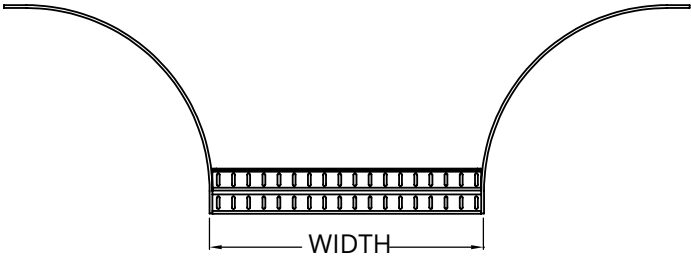
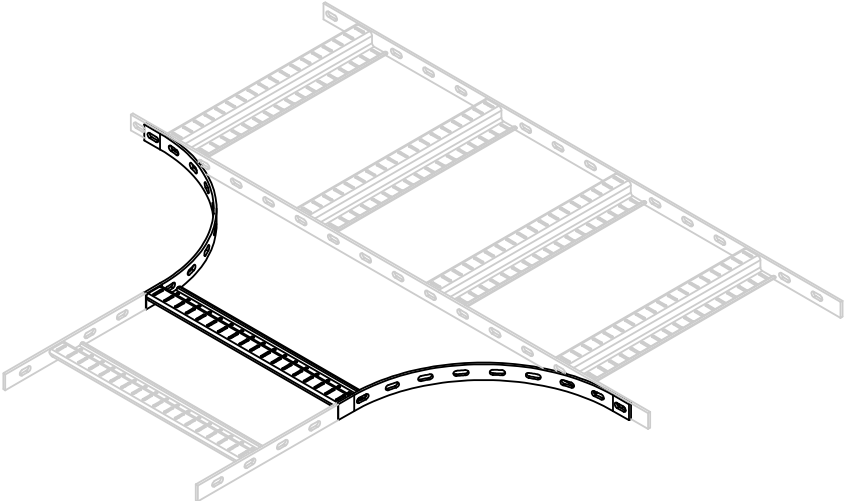
STEEL

XXX = AVAILABLE WIDTHS OF 100MM (4.0") - 600MM (23.6")

PART NUMBER	RADIUS
CTFAXXX300	300MM (11.8")
CTFAXXX450	450MM (17.7")
CTFAXXX550	550MM (21.7")
CTFAXXX575	575MM (22.6")
CTFAXXX650	650MM (25.5")
CTFAXXX700	700MM (27.6")
CTFAXXX750	750MM (29.5")
CTFAXXX825	825MM (32.5")
CTFAXXX850	850MM (33.5")
CTFAXXX950	950MM (37.4")

CABLE RACK

T AND CROSS

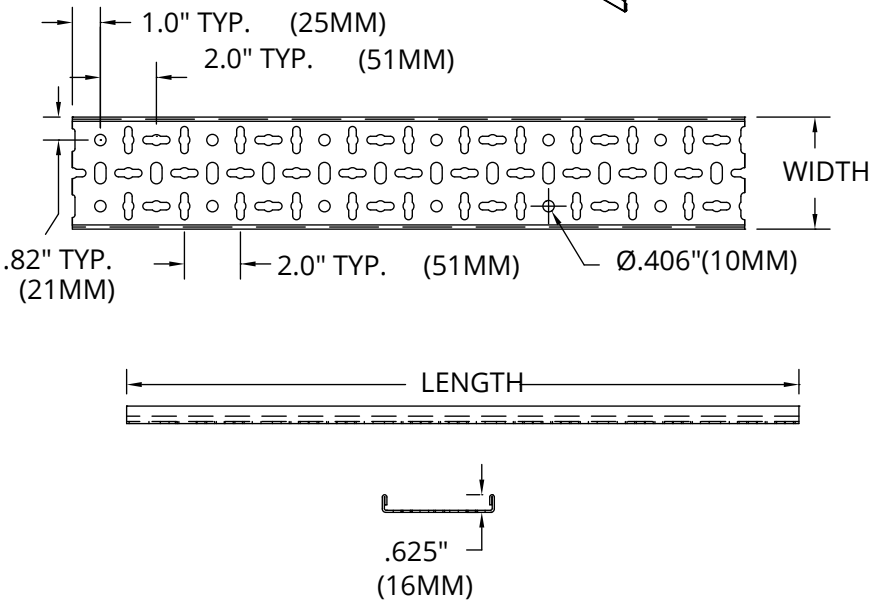
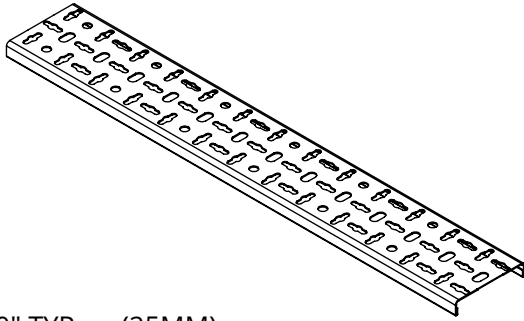


NOTE: 2 PCS NEEDED FOR CROSS

STEEL	
PART NUMBER	
300MM BEND RADIUS	450MM BEND RADIUS
CTFT300300	CTFT300450
CTFT450300	CTFT450450
CTFT600300	CTFT600450

CUT-TO-LENGTH CABLE TRAY

HEAVY DUTY TRAY



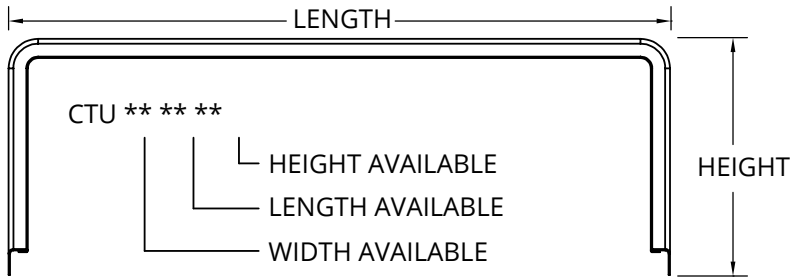
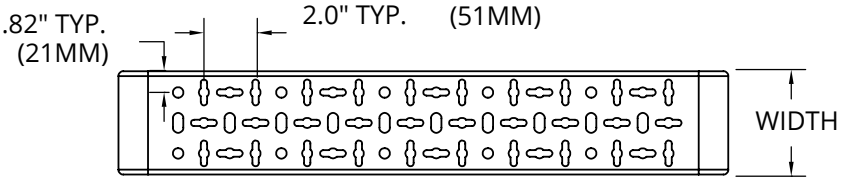
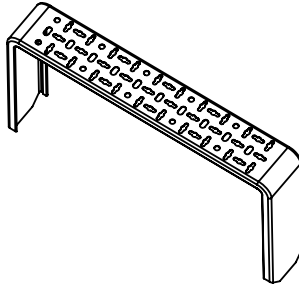
STEEL

XX = AVAILABLE WIDTHS OF 1.6", 4", 6", 8", 12"

PART NUMBER	LENGTH
CTRXX0600	24" (600MM)
CTRXX1000	40" (1000MM)
CTRXX1500	60" (1500MM)
CTRXX2000	80" (2000MM)
CTRXX2500	96" (2500MM)
CTRXX2850	112" (2850MM)
CTRXX3000	118" (3000MM)

CABLE TRAY

HEAVY DUTY BENT TRAY



NOTE SLOTS ONLY AVAILABLE IN 6"(150mm) WIDTH

STEEL

AVAILABLE WIDTHS OF
1.6" (40mm), 4" (100mm), AND 6" (150mm)

AVAILABLE LENGTHS OF
12"(300mm), 24"(600mm), 40"(1000mm), 60"(1500mm) AND 80"(2000mm)
*ALL LENGTHS NOT AVAILABLE IN ALL SIZES

AVAILABLE HEIGHTS OF
2" (50mm), 4" (100mm), 6" (150mm),
8" (200mm), 12" (300mm), AND 17.5" (450mm)

1.6" (40mm) WIDE
PART NUMBER

4" (100mm) WIDE
PART NUMBER

6" (150mm) WIDE
PART NUMBER

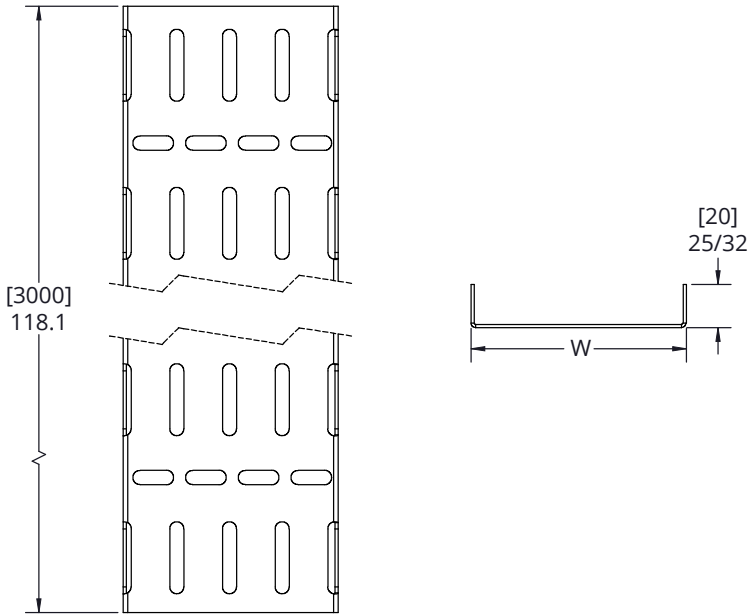
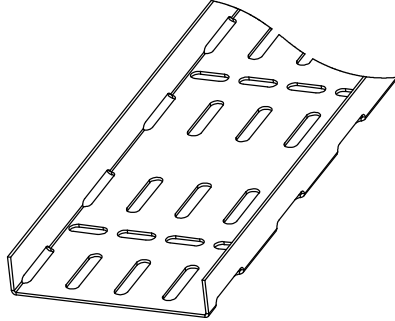
CTU011202 - CTU014017

CTU041202 - CTU048017

CTU061202 - CTU066017

CABLE TRAY

LIGHT DUTY TROUGH STYLE

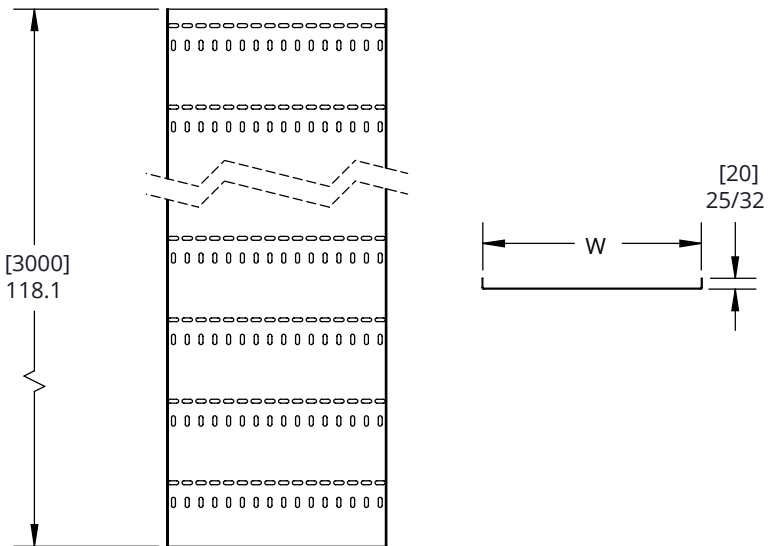
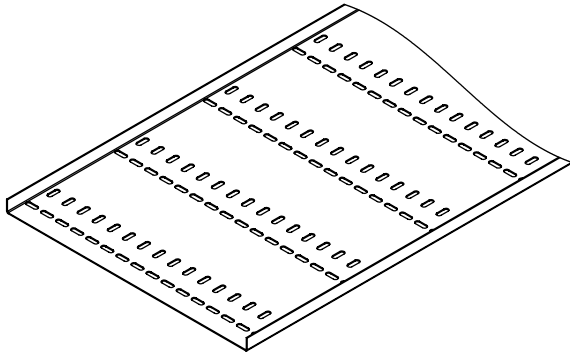


ADDITIONAL HEIGHTS AND WIDTHS AVAILABLE ON REQUEST
 MINIMUM ORDER QUANTITIES MAY APPLY

PART NUMBER			WIDTH
STAINLESS	STEEL	ALUMINUM	
CTR20-050	CTR20-050S	CTR20-050A	1.969" (50MM)
CTR20-100	CTR20-100S	CTR20-100A	3.937" (100MM)
CTR20-150	CTR20-150S	CTR20-150A	5.906" (150MM)
CTR20-200	CTR20-200S	CTR20-200A	7.874" (200MM)
CTR20-300	CTR20-300S	CTR20-300A	11.811" (300MM)

CABLE TRAY

LIGHT DUTY TROUGH STYLE (WIDE)

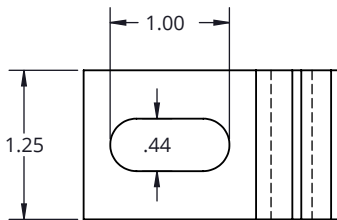
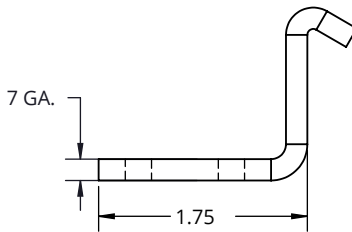
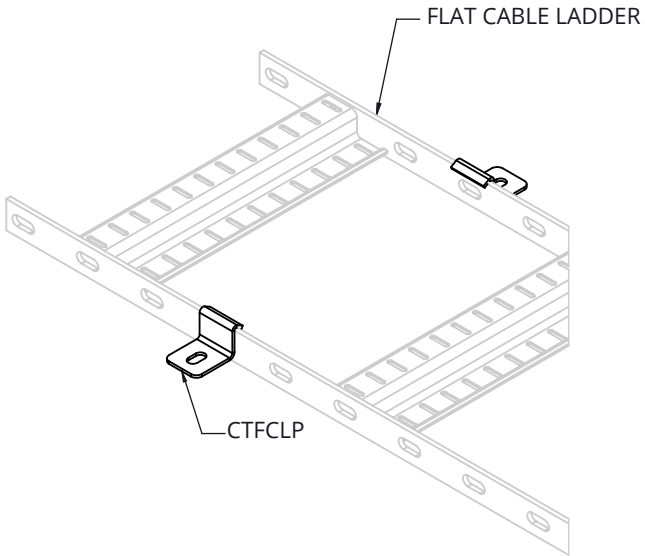


ADDITIONAL HEIGHTS AND WIDTHS AVAILABLE ON REQUEST
 MINIMUM ORDER QUANTITIES MAY APPLY

PART NUMBER			WIDTH
STAINLESS	STEEL	ALUMINUM	
CTR20-400	CTR20-400S	CTR20-400A	15.8" (400MM)
CTR20-500	CTR20-500S	CTR20-500A	19.7" (500MM)

MOUNTING CLIP

CTF SERIES RACK CLIP



PART NUMBER

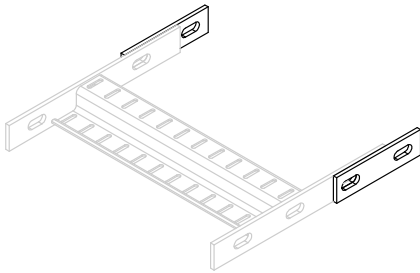
CTFCLP

10-13

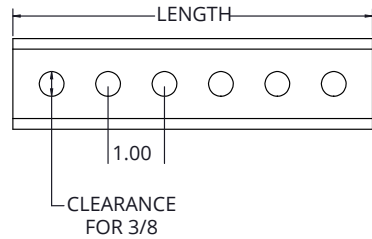
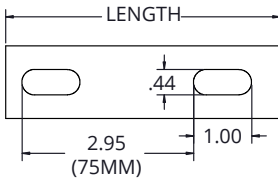
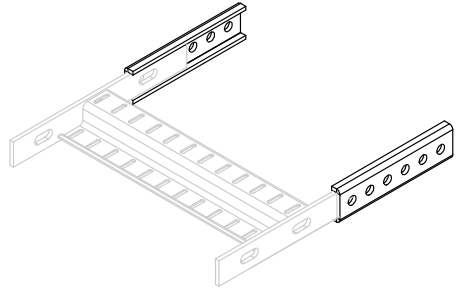
SPLICES

CTF SERIES RACK SPLICES

STANDARD SPLICE



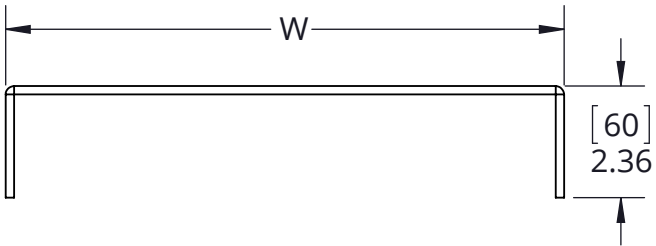
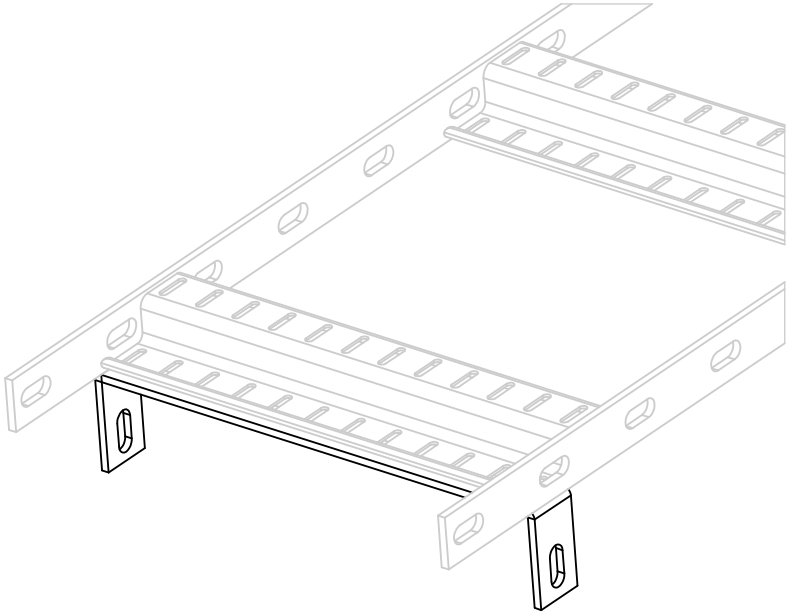
HEAVY DUTY SPLICE



ADDITIONAL LENGTHS AVAILABLE

STEEL			
STANDARD SPLICE		HEAVY DUTY SPLICE	
PART NUMBER	LENGTH	PART NUMBER	LENGTH
CTFSP120	4.72" (120MM)	CTFSP160HD	6.4" (162MM)
		CTFSP200HD	8.4" (212MM)

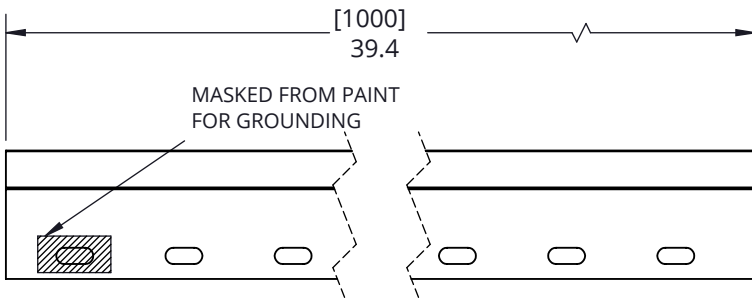
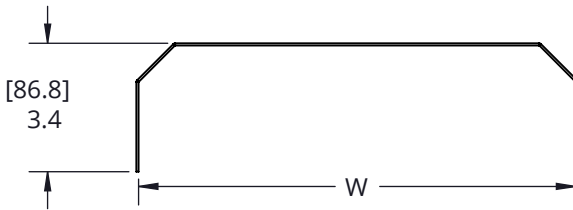
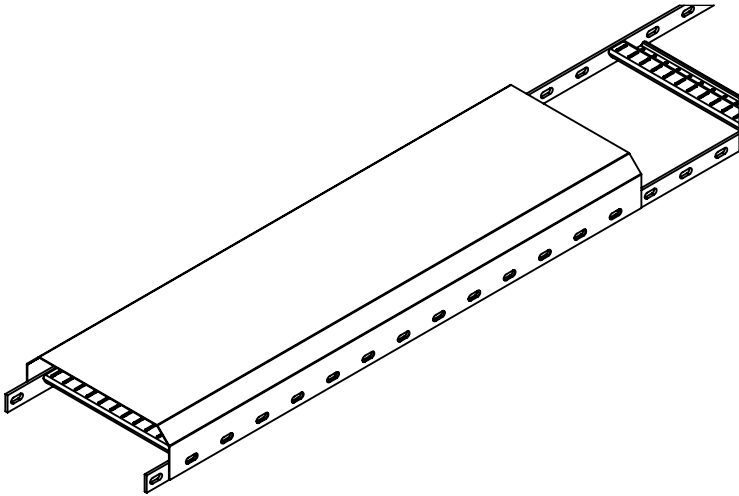
RACK STANDOFF BRACKET



ADDITIONAL WIDTHS AVAILABLE

STEEL	
PART NUMBER	WIDTH
FBMBKT300	11.8 (300MM)
FBMBKT450	17.7 (450MM)A

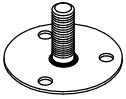
RACK KICK COVER



STEEL		ALUMINUM	
PART NUMBER	WIDTH	PART NUMBER	WIDTH
CTFCOV3001000	11.8 (300MM)	CTFCOV3001000A	11.8 (300MM)
CTFCOV4501000	17.7 (450MM)	CTFCOV4501000A	17.7 (450MM)
CTFCOV6001000	23.6 (600MM)	CTFCOV6001000A	23.6 (600MM)

ACCESSORIES

ACCESSORIES



STUD PLATE
3 HOLE MOUNT

RT138A10 - RT138A20-1 ALUMINUM
RT138C10 - RT138C20-1 STAINLESS

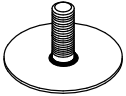
P. 11-3



SADDLES

S1025S - S3125ST STEEL
S1025A - S3125AT ALUMINUM
S1025SS - S3125SST STAINLESS

P. 11-8



STUD PLATE
GLUE MOUNT

CB138A10 - CB138A20-1 ALUMINUM
CB138C10 - CB138C20-1 STAINLESS

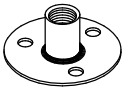
P. 11-4



THIMBLES

CM003069 - CM427800 COPPER

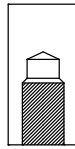
P. 11-9



TAPPED PAD PLATE
3 HOLE MOUNT

RT138AT1 - RT138AT2-1 ALUMINUM
RT138CT1 - RT138CT2-1 STAINLESS

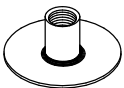
P. 11-5



TAPPED PADS

W1011/4 - W1031/2 ALUMINUM

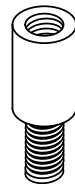
P. 11-10



TAPPED PAD PLATE
GLUE MOUNT

CB138ATP - CB438ATP ALUMINUM
CB138CTP - CB438CTP STAINLESS

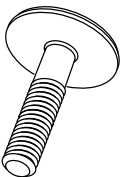
P. 11-6



STACKING STUD

PHS030S33 - PHS030S55 STEEL
PHS030C33 - PHS030C55 STAINLESS

P. 11-11



HONEYCOMB STUD

RB438C15 STAINLESS

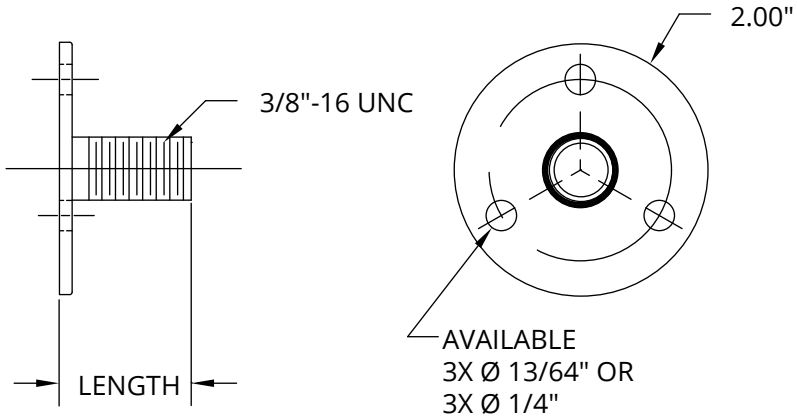
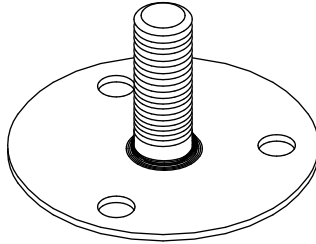
P. 11-7

ACCESSORIES

NOTES

STUD PLATE

3 HOLE MOUNT

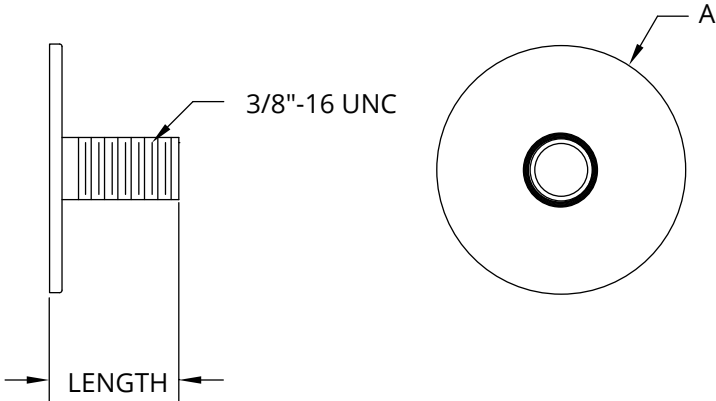
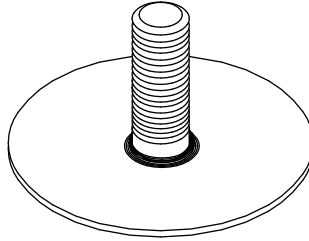


ADDITIONAL THREAD SIZE AND STUD DIAMETERS AVAILABLE

PART NUMBER			
ALUMINUM	STAINLESS	LENGTH	HOLE DIA.
RT138A10	RT138C10	1"	13/64"
RT138A15	RT138C15	1 1/2"	13/64"
RT138A20	RT138C20	2"	13/64"
RT138A10-I	RT138C10-I	1"	1/4"
RT138A15-I	RT138C15-I	1 1/2"	1/4"
RT138A20-I	RT138C20-I	2	1/4"

STUD PLATE

GLUE MOUNT



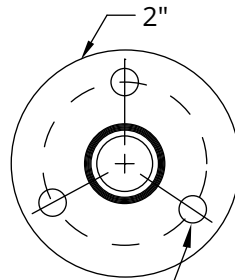
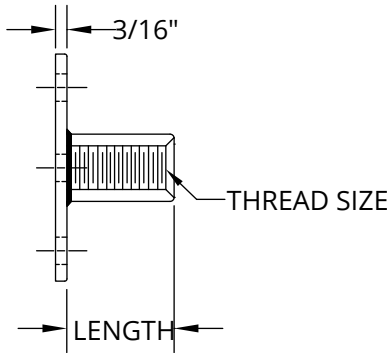
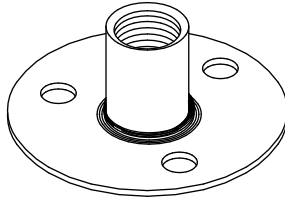
**NO GLUE OR APPLICATOR INCLUDED WITH PART
ADDITIONAL THREAD SIZE AND STUD DIAMETERS AVAILABLE**

PART NUMBER

ALUMINUM	STAINLESS	LENGTH	HOLE DIA.
CB138A10	CB138C10	1"	2"
CB138A15	CB138C15	1 1/2"	2"
CB138A20	CB138C20	2"	2"
CB438A10	CB438C10	1"	1 1/4"
CB438A15	CB438C15	1 1/2"	1 1/4"
CB438A20	CB438C20	2	1 1/4"

TAPPED PAD PLATE

3 HOLE MOUNT



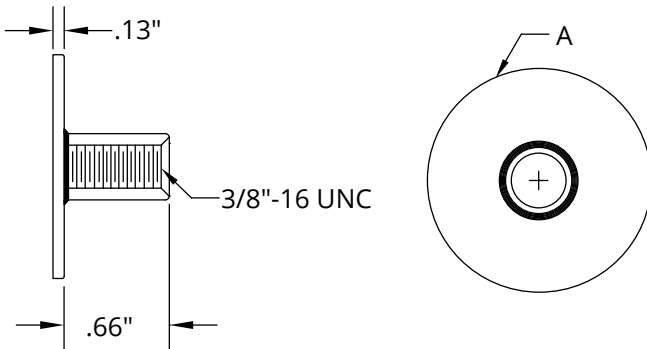
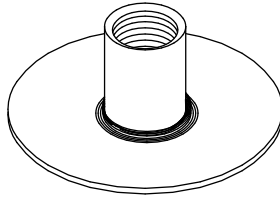
AVAILABLE
3X Ø 13/64"
OR 3X Ø 1/4"

ADDITIONAL THREAD SIZE AND TAPPED PAD DIAMETERS AVAILABLE

PART NUMBER				
ALUMINUM	STAINLESS	THREAD SIZE	LENGTH	HOLE DIA.
RT138AT1	RT138CT1	3/8" - 16	1"	13/64"
RT138AT2	RT138CT2	3/8" - 16	2"	13/64"
RT138AT1-I	RT138CT1-I	3/8" - 16	1"	1/4"
RT138AT2-I	RT138CT2-I	3/8" - 16	2"	1/4"

TAPPED PAD PLATE

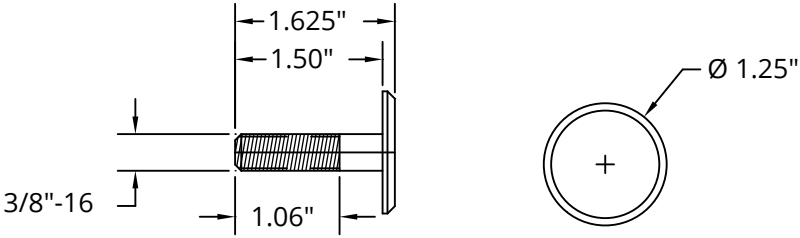
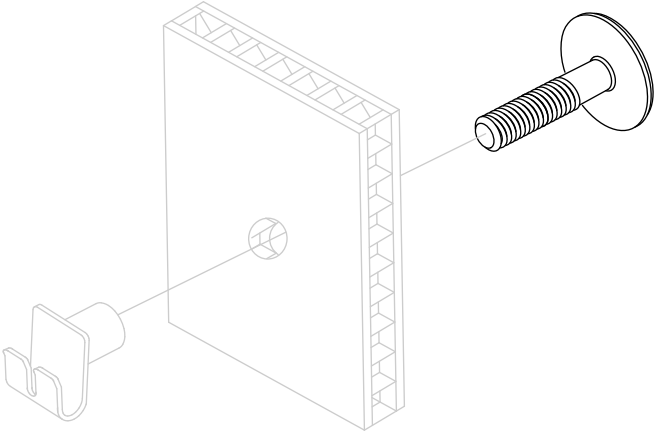
GLUE MOUNT



**NO GLUE OR APPLICATOR INCLUDED WITH PART
ADDITIONAL THREAD SIZE AND DIAMETERS AVAILABLE**

PART NUMBER		
ALUMINUM	STAINLESS	A DIA.
CB138ATP	CB138CTP	2"
CB438ATP	CB438CTP	1 1/4"

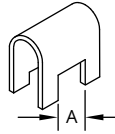
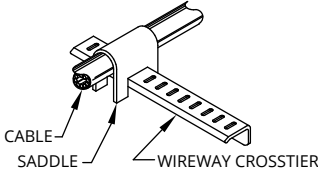
HONEYCOMB STUD



STAINLESS

RB438C15

SADDLES



SADDLE FOR NAVY STANDARD WIREWAY CROSSTIERS

A DIM - 1-13/16"				
STEEL	ALUMINUM	STAINLESS STEEL	NO. OF CABLES	DIA. OF CABLE
S1025S	S1025A	S1025SS	1	.25
S1050S	S1050A	S1050SS	1	.50
S1075S	S1075A	S1075SS	1	.75
S1100S	S1100A	S1100SS	1	1.00
S1125S	S1125A	S1125SS	1	1.25
S2025S	S2025A	S2025SS	2	.25
S2050S	S2050A	S2050SS	2	.50
S2075S	S2075A	S2075SS	2	.75
S2100S	S2100A	S2100SS	2	1.00
S2125S	S2125A	S2125SS	2	1.25
S3025S	S3025A	S3025SS	3	.25
S3050S	S3050A	S3050SS	3	.50
S3075S	S3075A	S3075SS	3	.75
S3100S	S3100A	S3100SS	3	1.00
S3125S	S3125A	S3125SS	3	1.25

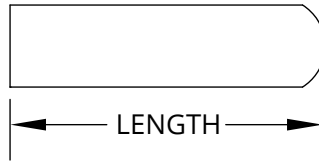
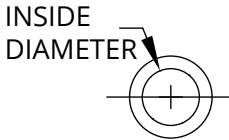
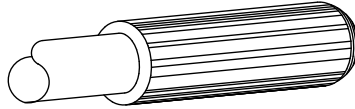
SADDLE FOR MOR, 9MAX, 3MAX, AND 9S CROSSTIERS

A DIM - 1-9/16"				
STEEL	ALUMINUM	STAINLESS STEEL	NO. OF CABLES	DIA. OF CABLE
S1025SM	S1025AM	S1025SSM	1	.25
S1050SM	S1050AM	S1050SSM	1	.50
S1075SM	S1075AM	S1075SSM	1	.75
S1100SM	S1100AM	S1100SSM	1	1.00
S1125SM	S1125AM	S1125SSM	1	1.25
S2025SM	S2025AM	S2025SSM	2	.25
S2050SM	S2050AM	S2050SSM	2	.50
S2075SM	S2075AM	S2075SSM	2	.75
S2100SM	S2100AM	S2100SSM	2	1.00
S2125SM	S2125AM	S2125SSM	2	1.25
S3025SM	S3025AM	S3025SSM	3	.25
S3050SM	S3050AM	S3050SSM	3	.50
S3075SM	S3075AM	S3075SSM	3	.75
S3100SM	S3100AM	S3100SSM	3	1.00
S3125SM	S3125AM	S3125SSM	3	1.25

SADDLE FOR T-BAR HANGER

A DIM - 1-3/16"				
STEEL	ALUMINUM	STAINLESS STEEL	NO. OF CABLES	DIA. OF CABLE
S1025ST	S1025AT	S1025SST	1	.25
S1050ST	S1050AT	S1050SST	1	.50
S1075ST	S1075AT	S1075SST	1	.75
S1100ST	S1100AT	S1100SST	1	1.00
S1125ST	S1125AT	S1125SST	1	1.25
S2025ST	S2025AT	S2025SST	2	.25
S2050ST	S2050AT	S2050SST	2	.50
S2075ST	S2075AT	S2075SST	2	.75
S2100ST	S2100AT	S2100SST	2	1.00
S2125ST	S2125AT	S2125SST	2	1.25
S3025ST	S3025AT	S3025SST	3	.25
S3050ST	S3050AT	S3050SST	3	.50
S3075ST	S3075AT	S3075SST	3	.75
S3100ST	S3100AT	S3100SST	3	1.00
S3125ST	S3125AT	S3125SST	3	1.25

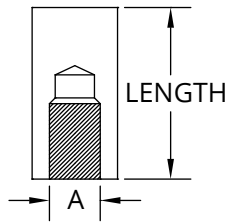
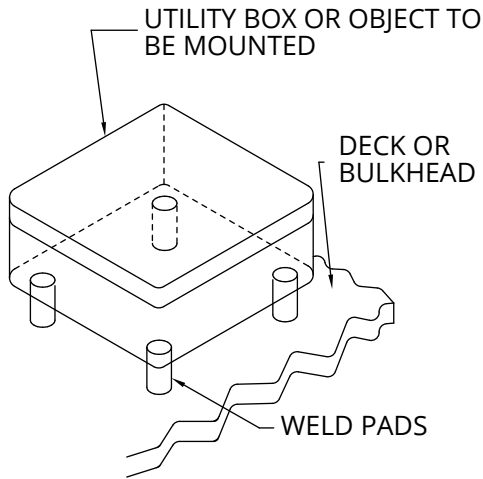
THIMBLES



ADDITIONAL SIZES AVAILABLE

PART NUMBER	SIZE OF CABLE (CIR. MILS.)	INSIDE DIAMETER	LENGTH
CM003069	3,000	.069	1
CM004084	4,000	.084	1
CM009116	9,000	.116	1
CM011124	10,380	.124	1
CM013138	13,090	.138	1-1/2
CM014144	14,000	.144	1-1/2
CM021172	20,820	.172	1-1/2
CM023179	23,000	.179	1-1/2
CM030210	30,000	.210	1-1/2
CM030229	33,090	.229	1-1/2
CM040234	40,000	.234	1-1/2
CM040247	41,740	.247	1-1/2
CM050262	50,000	.262	2
CM050268	52,620	.268	2
CM060290	60,000	.290	2
CM060308	66,360	.308	2
CM075325	75,000	.325	2
CM075340	83,690	.340	2
CM100371	100,000	.371	2
CM100381	105,600	.381	2
CM125415	125,000	.415	2
CM125427	133,100	.427	2
CM150465	150,000	.465	2
CM150478	167,800	.478	2
CM200522	200,000	.522	2
CM200536	211,600	.536	2
CM250585	250,000	.585	2-1/2
CM300636	300,000	.636	2-1/2
CM350693	350,000	.693	2-1/2
CM400750	400,000	.750	2-1/2

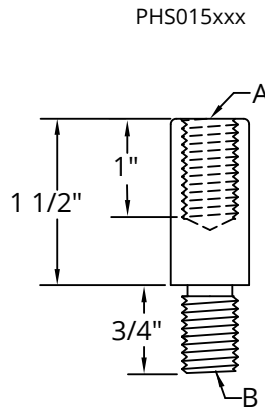
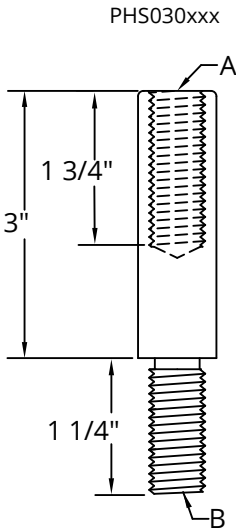
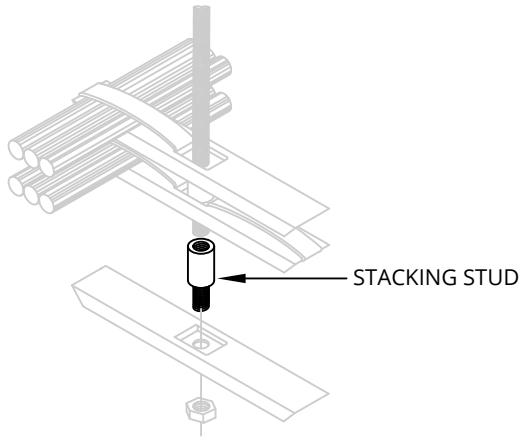
TAPPED PADS



ADDITIONAL SIZES AND MATERIALS AVAILABLE

PART NUMBER			
ALUMINUM	STEEL	LENGTH	A
W1001/4	W100S1/4	3/8"	1/4" 20
W1003/8	W100S3/8	1/2"	3/8" 16
W1001/2	W100S1/2	5/8"	1/2" 13
W1011/4	W101S1/4	1	1/4" 20
W1013/8	W101S3/8	1	3/8" 16
W1011/2	W101S1/2	1	1/2" 13
W1021/4	W102S1/4	2	1/4" 20
W1023/8	W102S3/8	2	3/8" 16
W1021/2	W102S1/2	2	1/2" 13
W1031/4	W103S1/4	3	1/4" 20
W1033/8	W103S3/8	3	3/8" 16
W1031/2	W103S1/2	3	1/2" 13

STACKING STUD



STACKING STUDS FOR ADDING MULTIPLE TIERS

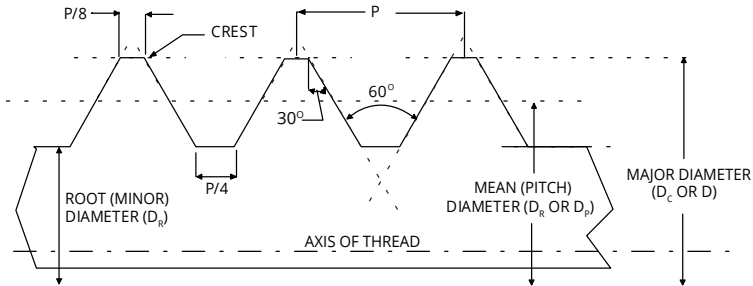
STEEL	STAINLESS	STEEL	STAINLESS	A	B
PHS030S33	PHS030C33	PHS015S33	PHS015C33	3/8-16	3/8-16
PHS030S53	PHS030C53	PHS015S53	PHS015C53	5/8-11	3/8-16
PHS030S55	PHS030C55	PHS015S55	PHS015C55	5/8-11	5/8-11



RESOURCES

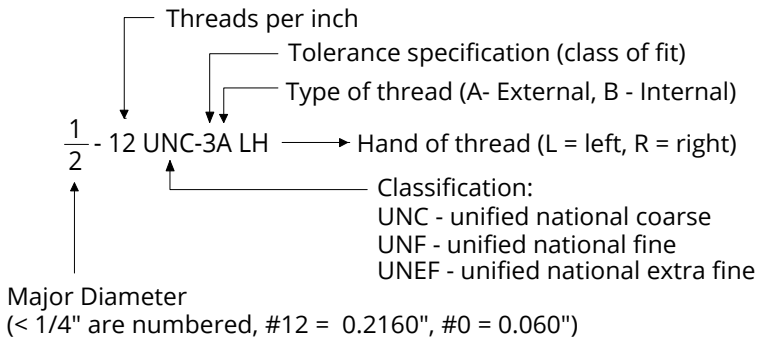
THREAD STANDARDS

UNIFIED AND ISO THREAD GEOMETRY

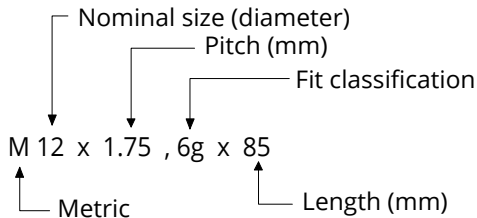


CLASS	UNIFIED		METRIC	
	EXTERNAL THREAD	INTERNAL THREAD	EXTERNAL THREAD	INTERNAL THREAD
LOOSE	1A	1B	8G	7H
STANDARD	2A	2B	6G	6H
CLOSE	3A	3B	4G	5H

UNIFIED NATIONAL:



METRIC:



THREAD DIMENSIONS

AND TAP DRILL SIZES

Size	Threads Per Inch		Outside Diameter Inches	Pitch Diameter Inches	Root Diameter Inches	Tap Drill Approx. 75% Full Thread	Decimal Equiv. Of Tap Drill
	NC UNC	NF UNF					
0	—	80	.0600	.0519	.0438	3/64"	.0469
1	64	—	.0730	.0629	.0527	53	.0595
1	—	72	.0730	.0640	.0550	53	.0595
2	56	—	.0860	.0744	.0628	50	.0700
2	—	64	.0860	.0759	.0657	50	.0700
3	48	—	.0990	.0855	.0719	47	.0785
3	—	56	.0990	.0874	.0758	46	.0810
4	40	—	.1120	.0958	.0795	43	.0890
4	—	48	.1120	.0985	.0849	42	.0935
5	40	—	.1250	.1088	.0925	38	.1015
5	—	44	.1250	.1102	.0955	37	.1040
6	32	—	.1380	.1177	.0974	36	.1065
6	—	40	.1380	.1218	.1055	33	.1130
8	32	—	.1640	.1437	.1234	29	.1360
8	—	36	.1640	.1460	.1279	29	.1360
10	24	—	.1900	.1629	.1359	26	.1470
10	—	32	.1900	.1697	.1494	21	.1590
12	24	—	.2160	.1889	.1619	16	.1770
12	—	28	.2160	.1928	.1696	15	.1800
1/4"	20	—	.2500	.2175	.1850	7	.2010
1/4"	—	28	.2500	.2268	.2036	3	.2130
5/16"	18	—	.3125	.2764	.2403	F	.2570
5/16"	—	24	.3125	.2854	.2584	I	.2720
3/8"	16	—	.3750	.3344	.2938	5/16"	.3125
3/8"	—	24	.3750	.3479	.3209	Q	.3320
7/16"	14	—	.4375	.3911	.3447	U	.3680
7/16"	—	20	.4375	.4050	.3726	25/64"	.3906
1/2"	13	—	.5000	.4500	.4001	27/64"	.4219
1/2"	—	20	.5000	.4675	.4351	29/64"	.4531
9/16"	12	—	.5625	.5084	.4542	31/64"	.4844
9/16"	—	18	.5625	.5264	.4903	33/64"	.5156
5/8"	11	—	.6250	.5660	.5069	17/32"	.5312
5/8"	—	18	.6250	.5889	.5528	37/64"	.5781
3/4"	10	—	.7500	.6850	.6201	21/32"	.6562
3/4"	—	16	.7500	.7094	.6688	11/16"	.6875
7/8"	9	—	.8750	.8028	.7307	49/64"	.7656
7/8"	—	14	.8750	.8286	.7822	13/16"	.8125
1"	8	—	1.0000	.9188	.8376	7/8"	.8750
1"	—	12	1.0000	.9459	.8917	59/64"	.9219
1 1/8"	7	—	1.1250	1.0322	.9394	63/64"	.9844
1 1/8"	—	12	1.1250	1.0709	1.0168	1 3/64"	1.0469
1 1/4"	7	—	1.2500	1.1572	1.0644	1 7/64"	1.1094
1 1/4"	—	12	1.2500	1.1959	1.1418	1 11/64"	1.1719
1 3/8"	6	—	1.3750	1.2667	1.1585	1 7/32"	1.2187
1 3/8"	—	12	1.3750	1.3209	1.2668	1 19/64"	1.2969
1 1/2"	6	—	1.5000	1.3917	1.2835	1 11/32"	1.3437
1 1/2"	—	12	1.5000	1.4459	1.3918	1 27/64"	1.4219
1 3/4"	5	—	1.7500	1.6201	1.4902	1 9/16"	1.5625
2"	4 1/2	—	2.0000	1.8557	1.7113	1 25/32"	1.7812
2 1/4"	4 1/2	—	2.2500	2.1057	1.9613	2 1/32"	2.0313
2 1/2"	4 1/2	—	2.5000	2.3376	2.1752	2 1/4"	2.2500
2 3/4"	4	—	2.7500	2.5876	2.4252	2 1/2"	2.5000
3"	4	—	3.0000	2.8376	2.6752	2 3/4"	2.7500
3 1/4"	4	—	3.2500	3.0876	2.9252	3"	3.0000
3 1/2"	4	—	3.5000	3.3376	3.1752	3 1/4"	3.2500
3 3/4"	4	—	3.7500	3.5876	3.4252	3 1/2"	3.5000
4"	4	—	4.0000	3.3786	3.6752	3 3/4"	3.7500

PIPE DIMENSIONS

US AND METRIC

NOMINAL PIPE SIZE	OD	SCHEDULE DESIGNATIONS			WALL THICKNESS		WEIGHT		ID	
		IN. MM	IN. MM	ASME	IN.	MM	LBS/FOOT	KG/METER	IN.	MM
1/8	0.405	10		10S	0.049	1.24	0.19	0.28	0.307	7.82
6	10.3	STD	40	40S	0.068	1.73	0.24	0.37	0.269	6.84
		XS	80	80S	0.095	2.41	0.31	0.47	0.215	5.84
1/4	0.540	10		10S	0.065	1.65	0.33	0.49	0.410	10.40
8	13.7	STD	40	40S	0.088	2.24	0.43	0.63	0.364	9.22
		XS	80	80S	0.119	3.02	0.54	0.80	0.302	7.66
3/8	0.675	10		10S	0.065	1.65	0.42	0.63	0.545	13.80
10	17.1	STD	40	40S	0.091	2.31	0.57	0.84	0.493	12.48
		XS	80	80S	0.126	3.20	0.74	1.10	0.423	10.70
1/2	0.840	5		5S	0.065	1.65	0.54	0.80	0.710	18.00
15	21.3	10		10S	0.083	2.11	0.67	1.00	0.674	17.08
		STD	40	40S	0.109	2.77	0.85	1.27	0.622	15.76
		XS	80	80S	0.147	3.73	1.09	1.62	0.546	13.84
		160			0.188	4.78	1.31	1.95	0.464	11.74
		XX			0.294	7.47	1.72	2.55	0.252	6.36
3/4	1.050	5		5S	0.065	1.65	0.69	1.03	0.920	23.40
20	26.7	10		10S	0.083	2.11	0.86	1.28	0.884	22.48
		STD	40	40S	0.113	2.87	1.13	1.69	0.824	20.96
		XS	80	80S	0.154	3.91	1.48	2.20	0.742	18.88
		160			0.219	5.56	1.95	2.90	0.612	15.58
		XX			0.308	7.82	2.44	3.64	0.434	11.06
1	1.315	5		5S	0.065	1.65	0.87	1.29	1.185	30.10
25	33.4	10		10S	0.109	2.77	1.41	2.09	1.097	27.86
		STD	40	40S	0.133	3.38	1.68	2.50	1.049	26.64
		XS	80	80S	0.179	4.55	2.17	3.24	0.957	24.30
		160			0.250	6.35	2.85	4.24	0.815	20.70
		XX			0.358	9.09	3.66	5.45	0.599	15.22
1-1/4	1.660	5		5S	0.065	1.65	1.11	1.65	1.530	38.90
32	42.2	10		10S	0.109	2.77	1.81	2.69	1.442	36.66
		STD	40	40S	0.140	3.56	2.27	3.39	1.380	35.08
		XS	80	80S	0.191	4.85	3.00	4.47	1.278	32.50
		160			0.250	6.35	3.77	5.61	1.160	29.50
		XX			0.382	9.70	5.22	7.77	0.896	22.80
1-1/2	1.900	5		5S	0.065	1.65	1.28	1.90	1.770	45.00
40	48.3	10		10S	0.109	2.77	2.09	3.11	1.682	42.76
		STD	40	40S	0.145	3.68	2.72	4.05	1.610	40.94
		XS	80	80S	0.200	5.08	3.63	5.41	1.500	38.14
		160			0.281	7.14	4.86	7.25	1.338	34.02
		XX			0.400	10.15	6.41	9.55	1.100	28.00
2	2.375	5		5S	0.065	1.65	1.61	2.39	2.245	57.00
50	60.3	10		10S	0.109	2.77	2.64	3.93	2.157	54.76
		STD	40	40S	0.154	3.91	3.66	5.44	2.067	52.48
		XS	80	80S	0.218	5.54	5.03	7.48	1.939	49.22
		160			0.344	8.74	7.47	11.11	1.687	42.82
		XX			0.436	11.07	9.04	13.44	1.503	38.16
2-1/2	2.875	5		5S	0.083	2.11	2.48	3.69	2.709	68.78
65	73.0	10		10S	0.120	3.05	3.53	5.26	2.635	66.90
		STD	40	40S	0.203	5.16	5.80	8.63	2.469	62.68
		XS	80	80S	0.276	7.01	7.67	11.41	2.323	58.98
		160			0.375	9.53	10.02	14.92	2.125	53.94
		XX			0.552	14.02	13.71	20.39	1.771	44.96
3	3.500	5		5S	0.083	2.11	3.03	4.52	3.334	84.68
80	88.9	10		10S	0.120	3.05	4.34	6.46	3.260	82.80
		STD	40	40S	0.216	5.49	7.58	11.29	3.068	77.92
		XS	80	80S	0.300	7.62	10.26	15.27	2.900	73.66
		160			0.438	11.13	14.34	21.35	2.624	66.64
		XX			0.600	15.24	18.60	27.68	2.300	58.42
3-1/2	4.000	5		5S	0.083	2.11	3.48	5.18	3.834	97.38
90	101.6	10		10S	0.120	3.05	4.98	7.41	3.760	95.50
		STD	40	40S	0.226	5.74	9.12	13.57	3.548	90.12
		XS	80	80S	0.318	8.08	12.52	18.64	3.364	85.44
		XX			0.636	16.15	22.87	34.03	2.728	69.30
4	4.500	5		5S	0.083	2.11	3.92	5.84	4.334	110.08
100	114.3	10		10S	0.120	3.05	5.62	8.37	4.260	108.20
					0.156	3.96	7.24	10.78	4.188	106.38
					0.188	4.78	8.67	12.91	4.124	104.74
		STD	40	40S	0.237	6.02	10.80	16.08	4.026	102.26
		XS	80	80S	0.337	8.56	15.00	22.32	3.826	97.18
		120			0.438	11.13	19.02	28.32	3.624	92.04
		160			0.531	13.49	22.53	33.54	3.438	87.32
		XX			0.674	17.12	27.57	41.03	3.152	80.06
4-1/2	5.000	STD	40	40S	0.247	6.27	12.55	18.67	4.506	114.46
115	127.0	XS	80	80S	0.355	9.02	17.63	26.24	4.290	108.96
		XX			0.710	18.03	32.56	48.45	3.580	90.94

AMERICAN WIRE GAUGE

CONDUCTOR SIZE TABLE

AWG	Diameter [inches]	Diameter [mm]	Area [mm ²]	Resistance [Ohms/1000 ft]	Resistance [Ohms / km]	Max Current [Amperes]	Max Frequency
0000 (4/0)	0.46	11.684	107	0.049	0.16072	302	125 Hz
000 (3/0)	0.4096	10.40384	85	0.0618	0.202704	239	160 Hz
00 (2/0)	0.3648	9.26592	67.4	0.0779	0.255512	190	200 Hz
0 (1/0)	0.3249	8.25246	53.5	0.0983	0.322424	150	250 Hz
1	0.2893	7.34822	42.4	0.1239	0.406392	119	325 Hz
2	0.2576	6.54304	33.6	0.1563	0.512664	94	410 Hz
3	0.2294	5.82676	26.7	0.197	0.64616	75	500 Hz
4	0.2043	5.18922	21.2	0.2485	0.81508	60	650 Hz
5	0.1819	4.62026	16.8	0.3133	1.027624	47	810 Hz
6	0.162	4.1148	13.3	0.3951	1.295928	37	1100 Hz
7	0.1443	3.66522	10.5	0.4982	1.634096	30	1300 Hz
8	0.1285	3.2639	8.37	0.6282	2.060496	24	1650 Hz
9	0.1144	2.90576	6.63	0.7921	2.598088	19	2050 Hz
10	0.1019	2.58826	5.26	0.9989	3.276392	15	2600 Hz
11	0.0907	2.30378	4.17	1.26	4.1328	12	3200 Hz
12	0.0808	2.05232	3.31	1.588	5.20864	9.3	4150 Hz
13	0.072	1.8288	2.62	2.003	6.56984	7.4	5300 Hz
14	0.0641	1.62814	2.08	2.525	8.282	5.9	6700 Hz
15	0.0571	1.45034	1.65	3.184	10.44352	4.7	8250 Hz
16	0.0508	1.29032	1.31	4.016	13.17248	3.7	11 k Hz
17	0.0453	1.15062	1.04	5.064	16.60992	2.9	13 k Hz
18	0.0403	1.02362	0.823	6.385	20.9428	2.3	17 kHz
19	0.0359	0.91186	0.653	8.051	26.40728	1.8	21 kHz
20	0.032	0.8128	0.518	10.15	33.292	1.5	27 kHz
21	0.0285	0.7239	0.41	12.8	41.984	1.2	33 kHz
22	0.0254	0.64516	0.326	16.14	52.9392	0.92	42 kHz
23	0.0226	0.57404	0.258	20.36	66.7808	0.729	53 kHz
24	0.0201	0.51054	0.205	25.67	84.1976	0.577	68 kHz
25	0.0179	0.45466	0.162	32.37	106.1736	0.457	85 kHz
26	0.0159	0.40386	0.129	40.81	133.8568	0.361	107 kHz
27	0.0142	0.36068	0.102	51.47	168.8216	0.288	130 kHz
28	0.0126	0.32004	0.081	64.9	212.872	0.226	170 kHz
29	0.0113	0.28702	0.0642	81.83	268.4024	0.182	210 kHz
30	0.01	0.254	0.0509	103.2	338.496	0.142	270 kHz
31	0.0089	0.22606	0.0404	130.1	426.728	0.113	340 kHz
32	0.008	0.2032	0.032	164.1	538.248	0.091	430 kHz
33	0.0071	0.18034	0.0254	206.9	678.632	0.072	540 kHz
34	0.0063	0.16002	0.0201	260.9	855.752	0.056	690 kHz
35	0.0056	0.14224	0.016	329	1079.12	0.044	870 kHz
36	0.005	0.127	0.0127	414.8	1360	0.035	1100 kHz
37	0.0045	0.1143	0.01	523.1	1715	0.0289	1350 kHz
38	0.004	0.1016	0.00797	659.6	2163	0.0228	1750 kHz
39	0.0035	0.0889	0.00632	831.8	2728	0.0175	2250 kHz
40	0.0031	0.07874	0.00501	1049	3440	0.0137	2900 kHz

Current (ampacity) Notes: The current ratings shown in the table are for power transmission and have been determined using the rule of 1 amp per 700 circular mils, which is a very conservative rating

FRACTION - DECIMAL

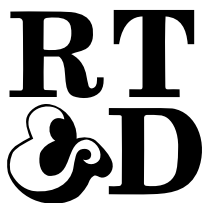
CONVERSION CHART

	IN	MM
	$\frac{1}{64}$.015625 .3969
$\frac{1}{32}$	$\frac{2}{64}$.03125 .7938
	$\frac{3}{64}$.046875 1.1906
$\frac{1}{16}$	$\frac{5}{64}$.0625 1.5875
	$\frac{7}{64}$.078125 1.9844
$\frac{3}{32}$	$\frac{9}{64}$.09375 2.3813
	$\frac{11}{64}$.109375 2.7781
$\frac{1}{8}$	$\frac{13}{64}$.125 3.1750
	$\frac{15}{64}$.140625 3.5719
$\frac{5}{32}$	$\frac{17}{64}$.15625 3.9688
	$\frac{19}{64}$.171875 4.3656
$\frac{3}{16}$	$\frac{21}{64}$.1875 4.7625
	$\frac{23}{64}$.203125 5.1594
$\frac{7}{32}$	$\frac{25}{64}$.21875 5.5563
	$\frac{27}{64}$.234375 5.9531
$\frac{1}{4}$	$\frac{29}{64}$.250 6.3500
	$\frac{31}{64}$.265625 6.7469
$\frac{9}{32}$.28125 7.1438
		.296875 7.5406
$\frac{5}{16}$.3125 7.9375
		.328125 8.3344
$\frac{11}{32}$.34375 8.7313
		.359375 9.1282
$\frac{3}{8}$.375 9.5250
		.390625 9.9219
$\frac{13}{32}$.40625 10.3188
		.421875 10.7157
$\frac{7}{16}$.4375 11.1125
		.453125 11.5094
$\frac{15}{32}$.46875 11.9063
		.484375 12.3032
$\frac{1}{2}$.500 12.7001

	IN	MM
	$\frac{33}{64}$.515625 13.096
$\frac{17}{32}$	$\frac{35}{64}$.53125 13.493
	$\frac{37}{64}$.546875 13.890
$\frac{9}{16}$	$\frac{39}{64}$.5625 14.287
	$\frac{41}{64}$.578125 14.684
$\frac{19}{32}$	$\frac{43}{64}$.59375 15.081
	$\frac{45}{64}$.609375 15.478
$\frac{5}{8}$	$\frac{47}{64}$.625 15.875
	$\frac{49}{64}$.640625 16.271
$\frac{21}{32}$.65625 16.668
		.671875 17.065
$\frac{11}{16}$.6875 17.462
		.703125 17.859
$\frac{23}{32}$.71875 18.256
		.734375 18.653
$\frac{3}{4}$.750 19.050
		.765625 19.447
$\frac{25}{32}$.78125 19.843
		.796875 20.240
$\frac{13}{16}$.8125 20.6375
		.828125 21.0345
$\frac{27}{32}$.84375 21.431
		.859375 21.8282
$\frac{7}{8}$.875 22.2251
		.890625 22.6220
$\frac{29}{32}$.90625 23.0188
		.921875 23.4157
$\frac{15}{16}$.9375 23.8126
		.953125 24.2095
$\frac{31}{32}$.96875 24.6063
		.984375 25.0032
1		1.000 25.4001

SHEET METAL GAUGE CHART

Gauge	Steel	Galvanized Steel	Stainless Steel	Aluminium	Electrical Steel
	in (mm)	in (mm)	in (mm)	in (mm)	in (mm)
3	0.2391 (6.07)	—	—	—	—
4	0.2242 (5.69)	—	—	—	—
5	0.2092 (5.31)	—	—	—	—
6	0.1943 (4.94)	—	—	0.162 (4.1)	—
7	0.1793 (4.55)	—	0.1875 (4.76)	0.1443 (3.67)	—
8	0.1644 (4.18)	0.1681 (4.27)	0.1719 (4.37)	0.1285 (3.26)	—
9	0.1495 (3.80)	0.1532 (3.89)	0.1563 (3.97)	0.1144 (2.91)	—
10	0.1345 (3.42)	0.1382 (3.51)	0.1406 (3.57)	0.1019 (2.59)	—
11	0.1196 (3.04)	0.1233 (3.13)	0.1250 (3.18)	0.0907 (2.30)	—
12	0.1046 (2.66)	0.1084 (2.75)	0.1094 (2.78)	0.0808 (2.05)	—
13	0.0897 (2.28)	0.0934 (2.37)	0.094 (2.4)	0.072 (1.8)	—
14	0.0747 (1.90)	0.0785 (1.99)	0.0781 (1.98)	0.0641 (1.63)	—
15	0.0673 (1.71)	0.0710 (1.80)	0.07 (1.8)	0.057 (1.4)	—
16	0.0598 (1.52)	0.0635 (1.61)	0.0625 (1.59)	0.0508 (1.29)	0.0625 (1.59)
17	0.0538 (1.37)	0.0575 (1.46)	0.056 (1.4)	0.045 (1.1)	0.0560 (1.42)
18	0.0478 (1.21)	0.0516 (1.31)	0.0500 (1.27)	0.0403 (1.02)	0.0500 (1.27)
19	0.0418 (1.06)	0.0456 (1.16)	0.044 (1.1)	0.036 (0.91)	0.0453 (1.15)
20	0.0359 (0.91)	0.0396 (1.01)	0.0375 (0.95)	0.0320 (0.81)	0.0375 (0.952)
21	0.0329 (0.84)	0.0366 (0.93)	0.034 (0.86)	0.028 (0.71)	0.0340 (0.860)
22	0.0299 (0.76)	0.0336 (0.85)	0.031 (0.79)	0.025 (0.64)	0.0310 (0.787)
23	0.0269 (0.68)	0.0306 (0.78)	0.028 (0.71)	0.023 (0.58)	0.0280 (0.711)
24	0.0239 (0.61)	0.0276 (0.70)	0.025 (0.64)	0.02 (0.51)	0.0250 (0.635)
25	0.0209 (0.53)	0.0247 (0.63)	0.022 (0.56)	0.018 (0.46)	0.0220 (0.559)
26	0.0179 (0.45)	0.0217 (0.55)	0.019 (0.48)	0.017 (0.43)	0.0185 (0.470)
27	0.0164 (0.42)	0.0202 (0.51)	0.017 (0.43)	0.014 (0.36)	0.0170 (0.432)
28	0.0149 (0.38)	0.0187 (0.47)	0.016 (0.41)	0.0126 (0.32)	0.0155 (0.394)
29	0.0135 (0.34)	0.0172 (0.44)	0.014 (0.36)	0.0113 (0.29)	0.0140 (0.356)
30	0.0120 (0.30)	0.0157 (0.40)	0.013 (0.33)	0.0100 (0.25)	0.0125 (0.318)
31	0.0105 (0.27)	0.0142 (0.36)	0.011 (0.28)	0.0089 (0.23)	0.0100 (0.254)
32	0.0097 (0.25)	—	—	—	—
33	0.0090 (0.23)	—	—	—	—
34	0.0082 (0.21)	—	—	—	—
35	0.0075 (0.19)	—	—	—	—
36	0.0067 (0.17)	—	—	—	—
37	0.0064 (0.16)	—	—	—	—
38	0.0060 (0.15)	—	—	—	—
33	0.0071	0.18034	0.0254	206.9	678.632
34	0.0063	0.16002	0.0201	260.9	855.752
35	0.0056	0.14224	0.016	329	1079.12
36	0.005	0.127	0.0127	414.8	1360
37	0.0045	0.1143	0.01	523.1	1715
38	0.004	0.1016	0.00797	659.6	2163
39	0.0035	0.0889	0.00632	831.8	2728
40	0.0031	0.07874	0.00501	1049	3440



Powered by FAIRBANKS MORSE
DEFENSE

rtnd.com

Research Tool & Die Works

17124 South Keegan Ave. Carson, CA 90746

Phone: 1.310.639.5722

FAX: 1.310.639.9606

email: custserv@rtnd.com

©2022 Research Tool & Die Works.

All rights reserved. Form 0021

Updated August 2022

fairbanksmorsedefense.com