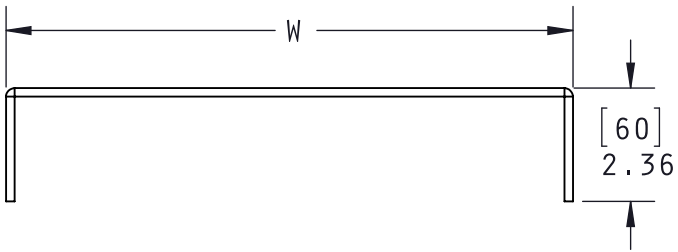
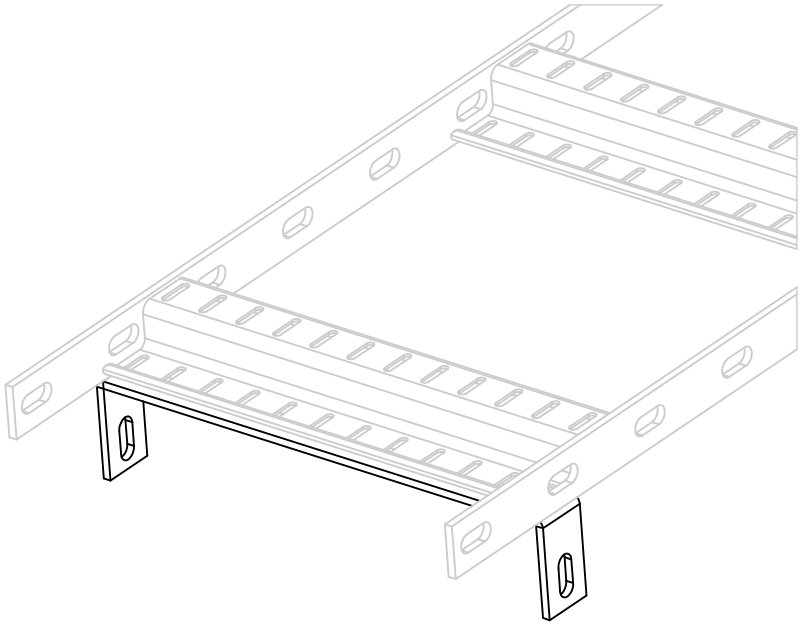


RACK STANDOFF BRACKET



ADDITIONAL WIDTHS AVAILABLE

STEEL	
PART NUMBER	WIDTH
FMBKT300	11.8 (300MM)
FMBKT450	17.7 (450MM)A