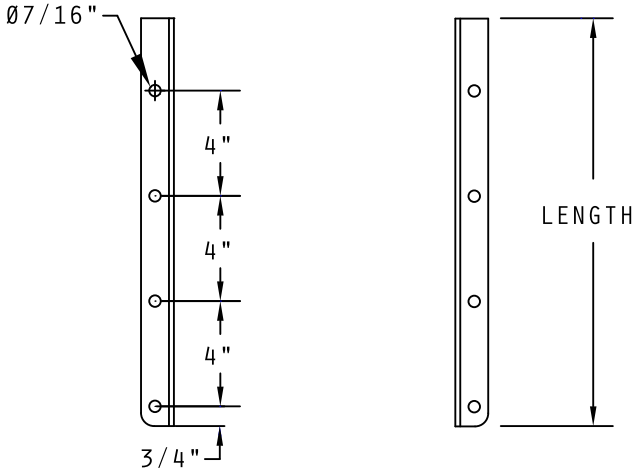
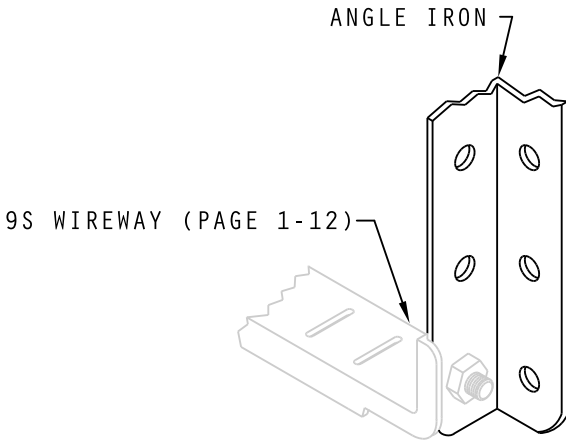


ANGLE IRON



1-1/4" X 1-1/4" X 3/16"

ADDITIONAL SIZES AVAILABLE ON REQUEST

AVAILABLE IN 2" INCREMENTS FROM 3 1/2" TO 41 1/2"	
STEEL	
PART NUMBER	NUMBER OF HOLES
2A-03 - 2A-05	1
2A-07 - 2A-09	2
2A-11 - 2A-13	3
2A-15 - 2A-39	4
2A-41	5