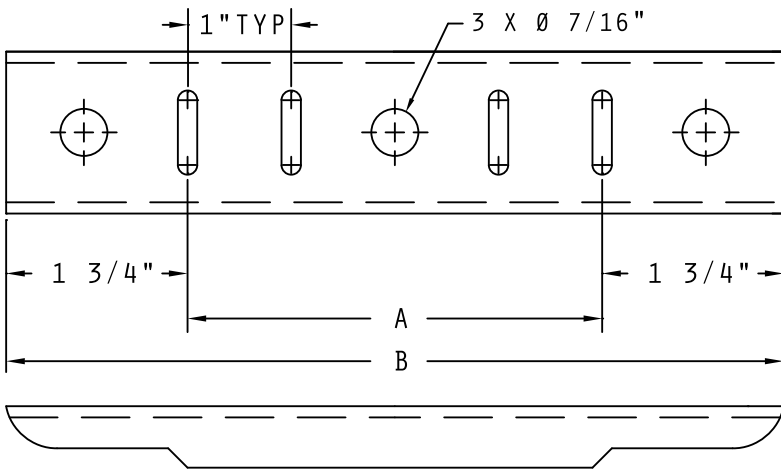
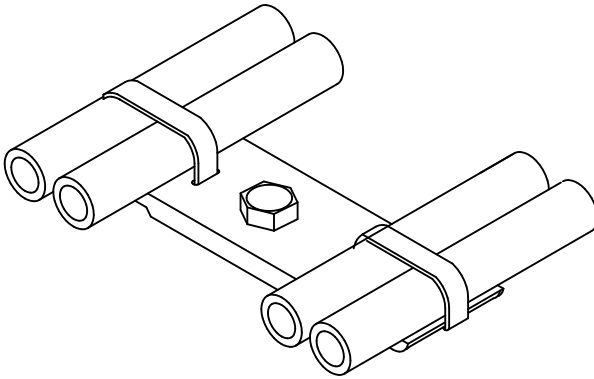


9T WIREWAY



PART LENGTH EXAMPLE		
9T16: A DIM = 14", B DIM = 17 1/2"		
ALUMINUM	STEEL	STAINLESS
9TA06 - 9TA24	9T06 - 9T24	9TC06 - 9TC24