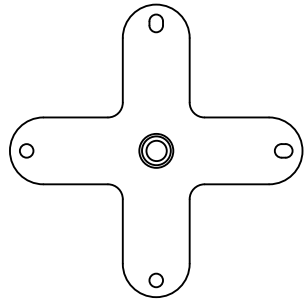
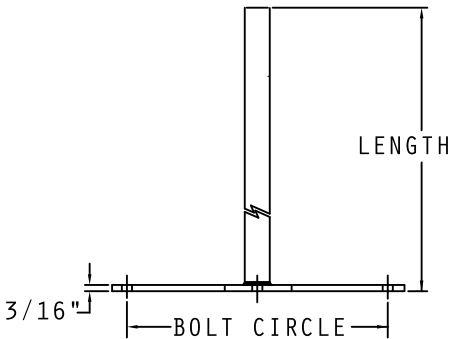
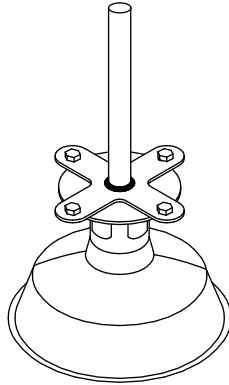


LIGHT STOOL LEG

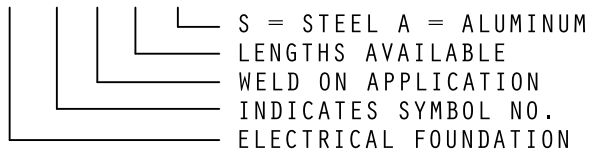
WELD TYPE



CATALOG NUMBERING SYSTEM
(FOR EACH LEG)

SAMPLE CATALOG NUMBER:

EF 70 W * * *



COMPLIES WITH METHOD F-2-A, COMPLIES WITH DRAWING 5184170
ADDITIONAL LENGTHS AVAILABLE

AVAILABLE IN 6" INCREMENTS FROM 6" TO 48"		
PART NUM	SYMBOL NUMBER	BOLT CIRCLE
EF70W***	48.2, 57, 64.1, 65, 68.2, 69, 89, 90.2, 94.1, 112, 113	7 5/8"-7 3/4"